

ENFORCER[®]

**EV-6640-N3WQ (NTSC)
EV-6640-P3WQ (PAL)**

Flush-Mount UFO Camera

Manual



- Lens rotates to nearly any angle for flexible installations
- Weatherproof (IP66) for outdoor use
- Low-profile design blends in with nearly any décor
- 1/3" Sony Super HAD II CCD
- 3.7mm Pinhole lens
- Metal case for vandal resistance
- 2D-NR (2D Digital Noise Reduction) cleans and sharpens images by reducing camera noise
- DWDR (Digital Wide Dynamic Range) captures a clean, high-resolution image even in strong backlight.
- Small size protrudes only 1" (26mm)
- Concealed wiring

Specifications:

	EV-6640-N3WQ	EV-6640-P3WQ
Type	Flush-Mount UFO Camera	
CCD	1/3" Sony Super HAD II	
Resolution	700 TVL	
Video output format	NTSC	PAL
Effective pixels	976x492 pixels	976x582 pixels
DNR (2D-NR)	Yes	
DWDR	Yes	
960H*	Yes	
Scanning system	2:1 Interlace	
Sync	Internal	
Video output	1.0Vp-p Composite video, 75Ω	
Lens	3.7mm	
Minimum illumination	0.05 Lux	
Gamma correction	0.45	
S/N Ratio	>48dB	
Shutter control	AES (Auto Electronic Shutter), 1/60-1/100,000 s	
Gain control	Auto	
White balance	Auto	
Operating voltage	12VDC	
Current draw	130mA ±10mA	
IP Rating	IP66	
Operating temperature	-4°-122° F (-20°-50° C)	
Dimensions	3"x3"x1" (77x77x26 mm) (Protruding from wall)	
Weight	3.6-oz (103g)	

*In order to take full advantage of 960H resolution, the camera must be used with a 960H DVR.

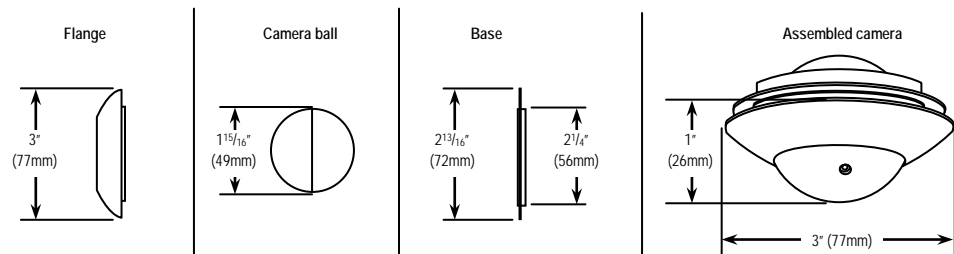
Parts List:

1x Camera
1x Flange

1x Base
1x Ring bracket

3x Mounting screws
1x DC Plug with terminal block

Dimensions:



Optional Surface-Mount Bracket (Sold separately):



Surface-mounting allows for a quick and easy installation while maintaining a low-profile appearance.

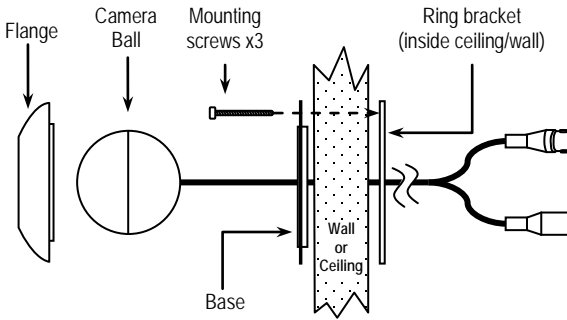
Diameter: 4 5/16" (109mm)
Height (with camera): 2 3/8" (60mm)



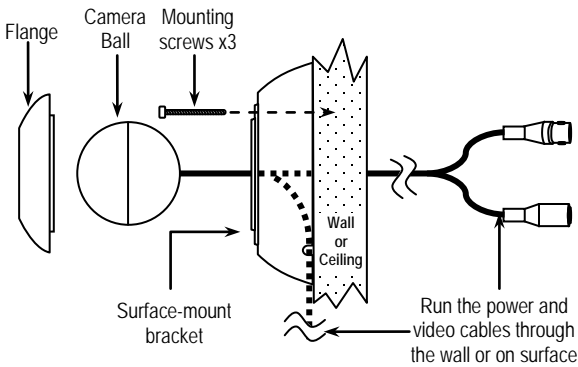
EV-6640SWQ

Overview:

Standard installation



Surface-mount installation – Requires the EV-6640SWQ (Sold Separately)



Before Starting:

1. Please read this manual carefully and keep it for future reference.
2. Use the camera within given temperature and electrical limits.
3. Do not mount the camera where it is exposed to rain or other moisture, or in humid or dusty places.
4. Do not point the camera at the sun. Heat could damage the camera, even when not in use.
5. Do not mount the camera in areas exposed to radiation, strong magnetic fields, or strong electrical signals.
6. Do not drop the camera or subject it to strong vibrations.

Installation:

1. Run a 12VDC power supply wire and a video cable with a male BNC connector to the wall or ceiling where the camera is to be mounted.
2. Temporarily connect the camera to the 12VDC power supply.
3. Temporarily connect the camera's female BNC connector to the video cable's male BNC connector.
4. While watching the monitor, hold the camera against the wall or ceiling by hand where it is to be mounted, then turn the camera until it is certain that this mounting location is correct. Use a pencil to mark the location.
5. Disconnect the 12VDC power supply and video cable.
6. Drill a 2 1/16" (52m) hole in the ceiling or wall where the camera is to be mounted.
7. Twist the flange off the base and remove the camera ball.
8. Place the ring bracket behind the hole.
NOTE: Ring bracket is not necessary if mounting directly to wall.
9. Push the base into the hole, and secure to the ring bracket using the three supplied marking screws.
10. Run the power supply and video cable through the wall or ceiling to the hole, and through the bracket and base. Connect to the camera's power and video connectors.
11. Hold the ball in the base, and secure with the flange. Secure the flange partially, leaving room to adjust the angle of the lens.
12. Apply the power to the camera. Watch the monitor and adjust the angle of the lens.
13. Secure the camera by tightening the flange.
14. Do a final test of the video camera and monitor.

Troubleshooting:

The screen is blank.

- Check that the camera is powered up.
 - Check that the power supply's polarity is correct
 - Check that the monitor is powered up.
 - Check that the video cable connecting the camera to the monitor is connected properly.
-

The screen image is dim.

- Clean the lens using a soft, clean cloth.
 - Check that the light source is adequate.
-

The screen image has poor contrast.

- Adjust the monitor's contrast knob.
 - Change the position of the camera.
-

The screen image flickers.

- Change the position of the camera.
-

The screen image is distorted.

- Change the position of the camera.
-

The camera case is hot.

- Check that the correct power supply is in use.
-

IMPORTANT: Users and installers of this product are responsible for ensuring this product complies with all national, state, and local laws and statutes related to monitoring and recording audio and video signals. SECO-LARM will not be held responsible for the use of this product in violation of any current laws or statutes.

WARNING: Stop using the camera if you see a malfunction such as smoke or unusual heat, as it could cause fire or electric shock. Do not open the case of this device, as there are no field-serviceable components inside.

FCC COMPLIANCE STATEMENT

Information to the user: This equipment has been tested and found to comply with the limits for a class B digital device, pursuant to part 15 of FCC rules. These limits are designed to provide reasonable protection against harmful interference when the equipment is operated in a commercial environment. This equipment generates, uses, and can radiate radio frequency energy and, if not installed and used in accordance with the instruction manual, may cause harmful interference to radio communications. Operation of this equipment is likely to cause harmful interference in which case the user will be required to correct the interference at his or her own expense.

WARRANTY: This SECO-LARM product is warranted against defects in material and workmanship while used in normal service for three (3) years from the date of sale to the original consumer customer. SECO-LARM's obligation is limited to the repair or replacement of any defective part if the unit is returned, transportation prepaid, to SECO-LARM. This Warranty is void if damage is caused by or attributed to acts of God, physical or electrical misuse or abuse, neglect, repair or alteration, improper or abnormal usage, or faulty installation, or if for any other reason SECO-LARM determines that such equipment is not operating properly as a result of causes other than defects in material and workmanship. The sole obligation of SECO-LARM and the purchaser's exclusive remedy shall be limited to the replacement or repair only, at SECO-LARM's option. In no event shall SECO-LARM be liable for any special, collateral, incidental, or consequential personal or property damage of any kind to the purchaser or anyone else.

NOTICE: The information and specifications printed in this manual are current at the time of publication. However, the SECO-LARM policy is one of continual development and improvement. For this reason, SECO-LARM reserves the right to change specifications without notice. SECO-LARM is also not responsible for misprints or typographical errors. Copyright © 2014 SECO-LARM U.S.A., Inc. All rights reserved. This material may not be reproduced or copied, in whole or in part, without the written permission of SECO-LARM.

SECO-LARM® U.S.A., Inc.

16842 Millikan Avenue, Irvine, CA 92606
Tel: (949) 261-2999 | (800) 662-0800

Website: www.seco-larm.com
Email: sales@seco-larm.com

 PICS N4
MIEV-6640-N3WQ_1404.docx