

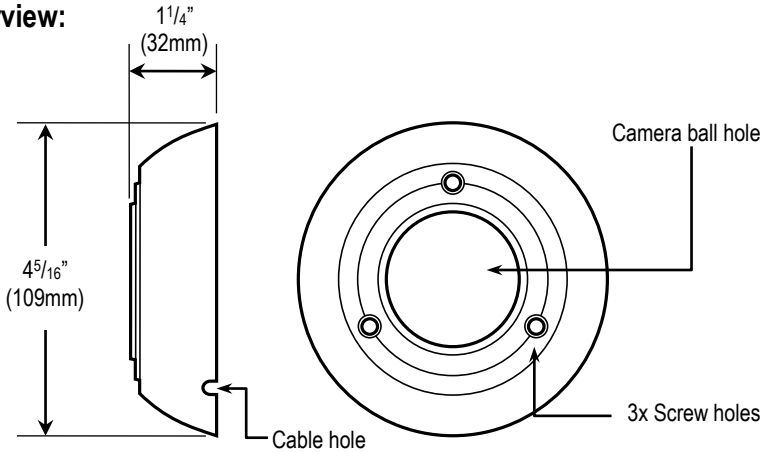
# ENFORCER®

## EV-6640SWQ

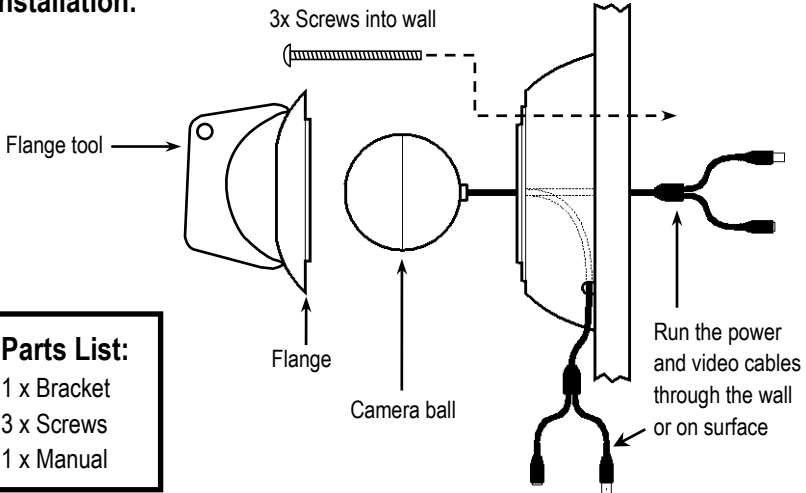
### Surface-Mount Bracket for Flush-Mount UFO Cameras

Compatible with EV-6140-N3WQ, EV-6140-P3WQ,  
EV-6640-N3WQ, and EV-6640-P3WQ

#### Overview:



#### Installation:



#### Parts List:

- 1 x Bracket
- 3 x Screws
- 1 x Manual

## SECO-LARM®

16842 Millikan Ave, Irvine, CA 92606

Tel: 949-261-2999 / 800-662-0800

Fax: 949-261-7326



Website: [www.seco-larm.com](http://www.seco-larm.com)

Email: [sales@seco-larm.com](mailto:sales@seco-larm.com)



MIEV-6640SWQ\_1308.docx