

ENFORCER®

Vandal Rollerball Cameras

Manual



NTSC Model	PAL Model	Features
EV-C2001-N3WQ	EV-C2001-P3WQ	700 TVL, White housing

- 700 TV Lines
- 1/3" CMOS Sensor
- 3.6mm Lens
- 3-Axis ball mount for wall or ceiling mounting
- Weatherproof (IP66)
- Split-glass design to eliminate IR reflection
- Vandal-resistant design

ENFORCER Vandal Rollerball Cameras

Specifications:

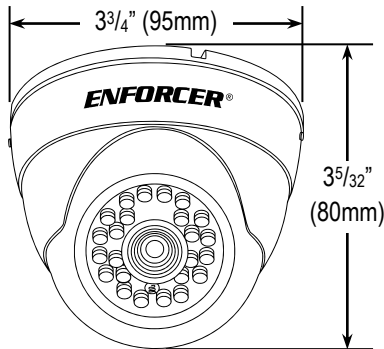
Model	EV-C2001-N3WQ	EV-C2001-P3WQ
Type	Vandal Rollerball Camera	
CMOS	1/3" CMOS Sensor	
Resolution	700 TV lines	
Video output format	NTSC	PAL
Pickup elements	811x508	795x596
Scanning system	2:1 Interlace	
Sync	Internal	
Video output	1.0V p-p Composite output, 75Ω	
Lens	3.6mm	
IR Cut filter	Yes	
# of IR LEDs	24 (850nm)	
IR Range	Up to 50' (15m)	
Minimum illumination	LEDs OFF	0.5 Lux
	LEDs ON	0 Lux
Gamma correction	0.45	
S/N Ratio	≥50dB	
Shutter control	Auto Electric Shutter (AES), 1/60~1/100,000 s	
Gain control	Auto	
White balance	Auto	
Operating voltage	12VDC	
Current draw	LEDs OFF	95mA
	LEDs ON	270mA
IP Rating	IP66	
Operating temperature	14°~131° F (-10°~55° C)	
Dimensions	3 ³ / ₄ "x3 ⁵ / ₃₂ " (95x80 mm)	
Cable length	18 ⁷ / ₈ " (480mm)	
Weight	16-oz (450g)	

Parts List:

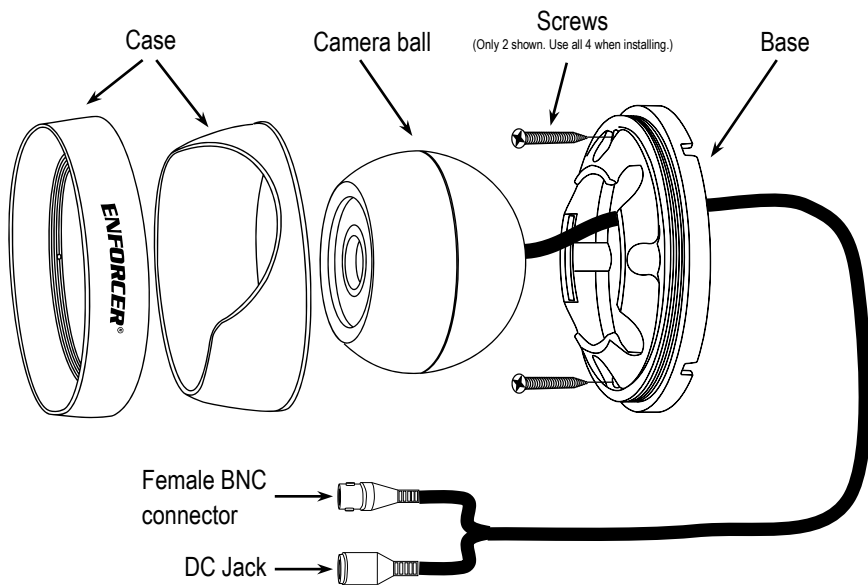
1x Camera
4x Screws
1x Mounting template

1x Manual
4x Screw anchors

Dimensions:



Overview:



Before Starting:

1. Please read this manual carefully and keep it for future reference.
2. Use the camera within the given temperature and electricity limits.
3. Do not point the camera at the sun. Heat could damage the camera, even when not in use.
4. Do not drop the camera or subject it to strong vibrations.
5. Do not mount the camera in areas exposed to radiation, strong magnetic fields, or strong electrical signals.

Installation:

1. Run a 12VDC power supply wire and a video cable with a male BNC connector through the wall to where the camera is to be mounted.
2. Loosen the set screw with the included hex wrench and remove the case from the base.
NOTE: The camera ball is NOT attached to the case or the base. It sits loose inside the case. Therefore, be very careful when removing the case from the base. Do not drop the camera ball.
3. Mount the base to the wall using the four included mounting screws. If the wall is made of dry wall, brick, or similar material, it may be necessary to use the included plastic screw anchors.
4. Run the camera's BNC and power connectors through the camera base, and connect to the video and power wires that were run through the wall.
5. Put the case over the camera ball onto the base. Be careful not to drop the camera ball.
6. Holding the case loosely on the base, turn the camera ball to the desired direction.
NOTE: Before securing installation, make sure to check both the day and night images. Adjust the camera ball so that there are no objects blocking or obscuring the camera's view.
7. Once the ball is pointing in the desired direction, tighten the outer case ring to secure the camera in its position.
8. Do a final test of the video camera and monitor.

Troubleshooting:

The screen is black	<ul style="list-style-type: none">• Check that the camera is powered up• Check that the power supply's polarity is correct• Check that the monitor is powered up• Check that the video cable connecting the camera to the monitor is connected properly
The image is foggy or washed out at night	<ul style="list-style-type: none">• Check that there are no objects very close to the camera• Check that there are no highly reflective objects in the scene
The screen image is dim	<ul style="list-style-type: none">• Clean the lens using a soft, clean cloth• Check that the light source is adequate
The screen image has poor contrast	<ul style="list-style-type: none">• Adjust the monitor's contrast knob• Change the position of the camera
The screen image flickers	<ul style="list-style-type: none">• Change the position of the camera
The screen image is distorted	<ul style="list-style-type: none">• Change the position of the camera
The camera case is hot	<ul style="list-style-type: none">• Check that the correct power supply is in use
IR LEDs do not turn on	<ul style="list-style-type: none">• Check that the correct power supply is in use

IMPORTANT

Users and installers of this product are responsible for ensuring this product complies with all national, state, and local laws and statutes related to monitoring and recording audio and video signals. SECO-LARM will not be held responsible for the use of this product in violation of any current laws or statutes.

WARNING

Stop using the camera if you see a malfunction such as smoke or unusual heat, as it could cause fire or electric shock. Do not open the case of this device, as there are no field-serviceable components inside.

FCC COMPLIANCE STATEMENT

Information to the user: This equipment has been tested and found to comply with the limits for a class B digital device, pursuant to part 15 of the FCC rules. These limits are designed to provide reasonable protection against harmful interference when the equipment is operated in a commercial environment. This equipment generates, uses, and can radiate radio frequency energy and, if not installed and used in accordance with the instruction manual, may cause harmful interference to radio communications. Operation of this equipment in a residential area is likely to cause harmful interference in which case the user will be required to correct the interference at his or her own expense.

WARRANTY: This SECO-LARM product is warranted against defects in material and workmanship while used in normal service for a period of one (1) year from the date of sale to the original customer. SECO-LARM's obligation is limited to the repair or replacement of any defective part if the unit is returned, transportation prepaid, to SECO-LARM. This Warranty is void if damage is caused by or attributed to acts of God, physical or electrical misuse or abuse, neglect, repair or alteration, improper or abnormal usage, or faulty installation, or if for any other reason SECO-LARM determines that such equipment is not operating properly as a result of causes other than defects in material and workmanship.

The sole obligation of SECO-LARM and the purchaser's exclusive remedy, shall be limited to replacement or repair only, at SECO-LARM's option. In no event shall SECO-LARM be liable for any special, collateral, incidental, or consequential personal or property damages of any kind to the purchaser or anyone else.

NOTICE

The information and specifications printed in this manual are current at the time of publication. However, the SECO-LARM policy is one of continual development and improvement. For this reason, SECO-LARM reserves the right to change specifications without notice. SECO-LARM is also not responsible for misprints or typographical errors.

Copyright © 2016 SECO-LARM U.S.A., Inc. All rights reserved. This material may not be reproduced or copied, in whole or in part, without the written permission of SECO-LARM.

SECO-LARM® U.S.A., Inc.

16842 Millikan Avenue, Irvine, CA 92606

Phone: (949) 261-2999 | (800) 662-0800

Website: www.seco-larm.com

Email: sales@seco-larm.com

 PICCN2

MIEV-C2001-x3WQ_160630.docx