

CBA[®]

RA-4961-MCQ

Wireless Magnetic Contact Manual



- For use with RA-4961 series receivers
- Wirelessly monitor windows, doors, or other areas
- Up to 1,000ft (305m) transmission range*
- Activates each time the door or window is moved.
- Magnet can be placed on either side.
- Adhesive mount - No screws required

*Transmission range will vary depending on installation and operating environment

SECO-LARM[®] SLI



CBA Wireless Magnetic Contact

Specifications:

| | | |
|-------------------------------|-------------------------|--|
| Model number | | RA-4961-MCQ |
| Frequency | | 914.8MHz |
| Transmission range* | | Up to 1,000ft (305m) |
| Channels | | 1 |
| Power supply | | 2x CR2032 Batteries (included) |
| Current draw | Standby | 8µA |
| | Max | 80mA |
| Estimated battery life | | 132 days (3 triggers/day) |
| Low battery indicator | | Zone LED on receiver blinks continuously |
| Sound level | | 96dB@1ft(30cm) |
| Contact distance | | $\frac{3}{8}$ "(1cm) |
| Operating temperature | | -4°~140° F (-20°~60° C) |
| Dimensions | Magnetic Contact | $\frac{17}{8}$ "x $\frac{1}{4}$ "x $\frac{43}{16}$ " (48x7x107 mm) |
| | Magnet | $\frac{3}{8}$ "x $\frac{1}{4}$ "x $\frac{19}{16}$ " (10x7x39 mm) |

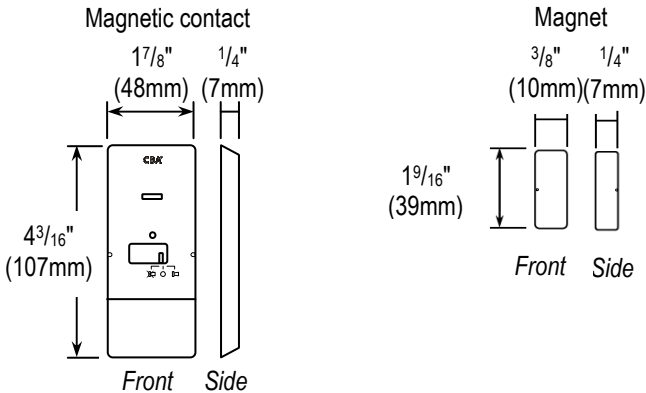
*Transmission range will vary depending on installation and operating environment

Parts List:

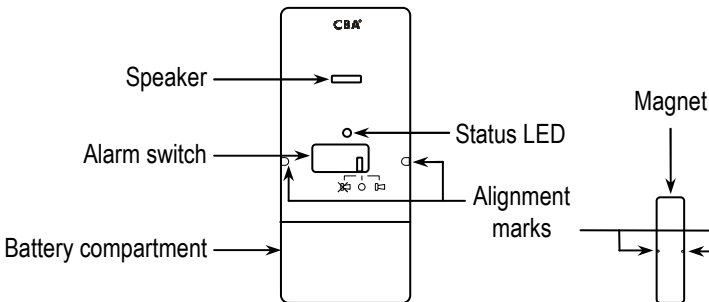
1x Magnetic contact 1x Magnet 2x Adhesive strips* 2x CR2032 Batteries 1x Manual

*Magnet adhesive strip comes pre-applied

Dimensions:

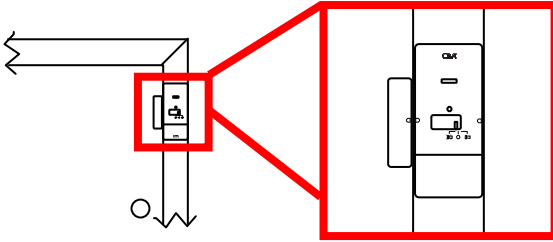


Overview:



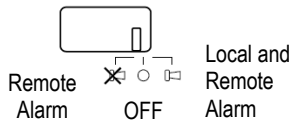
Installation:

1. Select the location where the magnetic contact and magnet will be mounted. The magnet may be installed on either side of the contact, but the alignment marks should be aligned with the marks on the contact. The gap should be no more than $\frac{3}{8}$ "(1cm).
2. Use the included adhesive strips to mount the door contact and magnet.



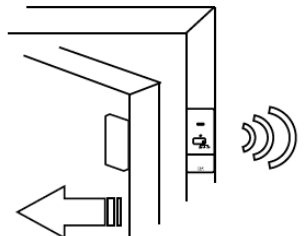
Programming the Contact Notification Mode:

1. The magnetic contact has three modes— Remote Alarm, OFF, and Local and Remote Alarm.
2. When the switch is flipped to Remote Alarm, when the magnetic contact is triggered, the status LED will switch on and there will be no sound from the contact. The receiver will operate as programmed.
3. When the switch is flipped to OFF, the magnetic contact will not function.
4. When the switch is flipped to Local and Remote Alarm, when the door contact is triggered, the built-in speaker will sound for 15 seconds or until the unit is switched to OFF. The receiver will operate as programmed.



Pairing the Contact:

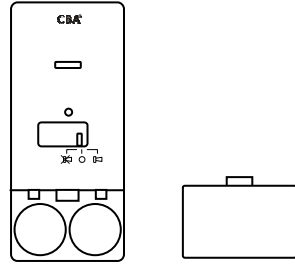
1. Follow the pairing instructions for the RA-4961-K1Q receiver or RA-4961-VPQ wireless receiver to enter the pairing mode (Refer to the RA-4961-K1Q or RA-4961-VPQ manual for detailed instructions).
2. Switch the contact to either of the two operating modes.
3. Trigger the contact by moving the magnet away from the contact or by opening the door/window if already mounted.
4. The receiver will beep once and cycle to the next channel to confirm successful pairing.



CBA Wireless Magnetic Contact

Installing Batteries:

1. Slide the cover from the battery compartment on the front of the contact.
2. Place 2x CR2032 batteries (included) in the battery compartment, making sure to observe correct polarity.
3. Replace the cover.



Note: Low battery is indicated on the receiver. Refer to the RA-4961-K1Q or RA-4961-VPQ manual for more information.

Also Available from SECO-LARM:



FCC COMPLIANCE STATEMENT:

FCC ID: YAHHAX-100

THIS DEVICE COMPLIES WITH PART 15 OF THE FCC RULES. OPERATION IS SUBJECT TO THE FOLLOWING TWO CONDITIONS: (1) THIS DEVICE MAY NOT CAUSE HARMFUL INTERFERENCE AND (2) THIS DEVICE MUST ACCEPT ANY INTERFERENCE RECEIVED, INCLUDING INTERFERENCE THAT MAY CAUSE UNDESIRE OPERATION. Notice: The changes or modifications not expressly approved by the party responsible for compliance could void the user's authority to operate the equipment. IMPORTANT NOTE: To comply with the FCC RF exposure compliance requirements, no change to the antenna or the device is permitted. Any change to the antenna or the device could result in the device exceeding the RF exposure requirements and void user's authority to operate the device.

LIMITED WARRANTY: This SECO-LARM product is warranted against defects in material and workmanship while used in normal service for one (1) year from the date of sale to the original customer. SECO-LARM's obligation is limited to the repair or replacement of any defective part if the unit is returned, transportation prepaid, to SECO-LARM. This Warranty is void if damage is caused by or attributed to acts of God, physical or electrical misuse or abuse, neglect, repair or alteration, improper or abnormal usage, or faulty installation, or if for any other reason SECO-LARM determines that such equipment is not operating properly as a result of causes other than defects in material and workmanship. The sole obligation of SECO-LARM and the purchaser's exclusive remedy, shall be limited to the replacement or repair only, at SECO-LARM's option. In no event shall SECO-LARM be liable for any special, collateral, incidental, or consequential personal or property damage of any kind to the purchaser or anyone else.

NOTICE: The information and specifications printed in this manual are current at the time of publication. However, the SECO-LARM policy is one of continual development and improvement. For this reason, SECO-LARM reserves the right to change specifications without notice. SECO-LARM is also not responsible for misprints or typographical errors. Trademarks are the property of SECO-LARM USA Inc. or their respective owners. Copyright © 2015 SECO-LARM U.S.A., Inc. All rights reserved. This material may not be reproduced or copied, in whole or in part, without the written permission of SECO-LARM.

SECO-LARM® U.S.A., Inc.

16842 Millikan Avenue, Irvine, CA 92606
Phone: (949) 261-2999 | (800) 662-0800

Website: www.seco-larm.com
Email: sales@seco-larm.com



MIRA-4961-MCQ_150914.doc