

CBA[®]

RA-4961-PBQ

Wireless Pushbutton

Manual



- For use with RA-4961 series receivers
- Up to 1,000ft (305m) transmission range*
- Easy installation
- Can be used as a wireless doorbell

* Transmission range will vary depending on installation and operating environment.

SECO-LARM[®] SLI



CBA Wireless Pushbutton

Specifications:

Model number		RA-4961-PBQ
Frequency		914.8MHz
Transmission range*		Up to 1,000ft (305m)
Channels		1
Power supply		CR2032 Battery (Included)
Current draw	Standby	0.2 μ A
	Active	16mA
Estimated battery life		400 days (3 triggers/day)
Low battery indicator		Zone LED on receiver blinks continuously
IP rating		IP45
Operating temperature		-4 $^{\circ}$ ~140 $^{\circ}$ F (-20 $^{\circ}$ ~60 $^{\circ}$ C)
Dimensions		1 $\frac{5}{16}$ "x1 $\frac{1}{16}$ "x3 $\frac{7}{16}$ " (34x18x87 mm)

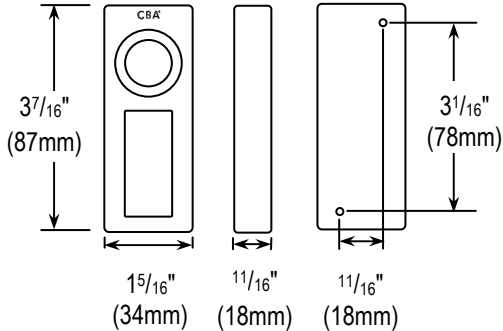
*Transmission range will vary depending on installation and operating environment.

Parts List:

1x Wireless Pushbutton

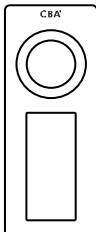
1x CR2032 Battery

Dimensions:

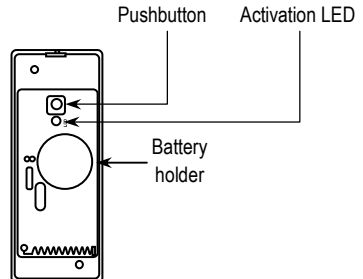


Overview:

Front (Cover on)

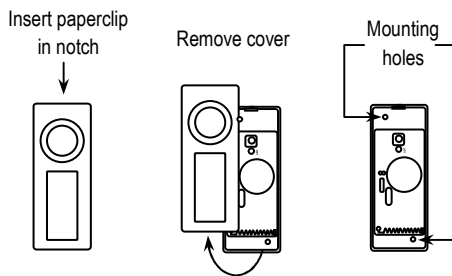


Front (Cover off)



Installation:

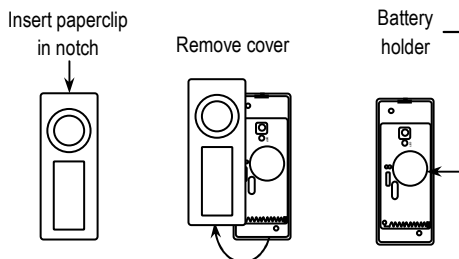
1. Remove the front cover of the pushbutton by inserting a paperclip in the notch at the top of the unit. Push down on the paperclip with force and pull the top of the front cover from the pushbutton.
2. Mount the pushbutton to a wall or other surface using screws (not included) through the two mounting holes.
3. Once the pushbutton has been mounted, snap the front cover onto the unit.

**Pairing the Pushbutton:**

1. Follow the pairing instructions for the RA-4961-K1Q receiver or RA-4961-VPQ wireless vibrating receiver to enter pairing mode. (Refer to RA-4961-K1Q or RA-4961-VPQ manual for detailed instruction).
2. Press the pushbutton.
3. The receiver will beep once and cycle to the next channel to confirm successful pairing.

Installing the Battery:

1. Remove the front cover of the pushbutton by inserting a paperclip in the notch at the top of the unit. Push down on the paperclip with force and pull the top of the front cover from the pushbutton.
2. If there is a previous battery installed, use a fingernail or small object to remove the battery from the battery holder.
3. Slide a CR2032 battery into the battery holder, making sure to observe correct polarity (positive faces out).
4. Snap the front cover onto the pushbutton.



Note: Low battery is indicated on the receiver. Refer to the RA-4961-K1Q or RA-4961-VPQ for more information.

Also Available from SECO-LARM:



**Wireless
Outdoor PIR Sensor**
RA-4961-DSQ



**Wireless
Mailbox/Tilt Sensor**
RA-4961-MBQ



**Wireless
Magnetic Contact**
RA-4961-MCQ



**Wireless
Indoor PIR Sensor**
RA-4961-PRQ



**Wireless Alert
System**
RA-4961-K1Q



**Wireless
Vibrating Receiver**
RA-4961-VPQ

FCC COMPLIANCE STATEMENT:

FCC ID: YAHDCX-800

THIS DEVICE COMPLIES WITH PART 15 OF THE FCC RULES. OPERATION IS SUBJECT TO THE FOLLOWING TWO CONDITIONS: (1) THIS DEVICE MAY NOT CAUSE HARMFUL INTERFERENCE AND (2) THIS DEVICE MUST ACCEPT ANY INTERFERENCE RECEIVED, INCLUDING INTERFERENCE THAT MAY CAUSE UNDESIRE OPERATION. Notice: The changes or modifications not expressly approved by the party responsible for compliance could void the user's authority to operate the equipment. IMPORTANT NOTE: To comply with the FCC RF exposure compliance requirements, no change to the antenna or the device is permitted. Any change to the antenna or the device could result in the device exceeding the RF exposure requirements and void user's authority to operate the device.

LIMITED WARRANTY: This SECO-LARM product is warranted against defects in material and workmanship while used in normal service for one (1) year from the date of sale to the original customer. SECO-LARM's obligation is limited to the repair or replacement of any defective part if the unit is returned, transportation prepaid, to SECO-LARM. This Warranty is void if damage is caused by or attributed to acts of God, physical or electrical misuse or abuse, neglect, repair or alteration, improper or abnormal usage, or faulty installation, or if for any other reason SECO-LARM determines that such equipment is not operating properly as a result of causes other than defects in material and workmanship. The sole obligation of SECO-LARM and the purchaser's exclusive remedy, shall be limited to the replacement or repair only, at SECO-LARM's option. In no event shall SECO-LARM be liable for any special, collateral, incidental, or consequential personal or property damage of any kind to the purchaser or anyone else.

NOTICE: The information and specifications printed in this manual are current at the time of publication. However, the SECO-LARM policy is one of continual development and improvement. For this reason, SECO-LARM reserves the right to change specifications without notice. SECO-LARM is also not responsible for misprints or typographical errors. Trademarks are the property of SECO-LARM USA Inc. or their respective owners.

Copyright © 2015 SECO-LARM U.S.A., Inc. All rights reserved. This material may not be reproduced or copied, in whole or in part, without the written permission of SECO-LARM.

SECO-LARM® U.S.A., Inc.

16842 Millikan Avenue, Irvine, CA 92606
Phone: (949) 261-2999 | (800) 662-0800

Website: www.seco-larm.com
Email: sales@seco-larm.com

 PIHVK1

MIRA-4961-PBQ_151001.doc