

ENFORCER®

SD-7428-GSEQ

Request-to-Exit Button
with Delayed Egress Timer

User Manual



- Programmable nuisance delay timer (0~3 seconds) to prevent accidental door unlocking
- Adjustable pre-delay timer (1~30 seconds until the door unlocks)
- 12~24 VDC Operation
- Form C relay outputs for lock relay and remote alarm relay
- Built-in 100dB buzzer
- Fits standard double-gang backbox
- Keyswitch to re-energize door lock

Replacement Keys: SD-7428-KEY (Sold in packs of 5)



IMPORTANT

Users and installers of this product are responsible for ensuring that the installation and configuration of this product complies with all national, state, and local laws and codes related to locking and egress devices. SECO-LARM will not be held responsible for the use of this product in violation of any current laws or codes.

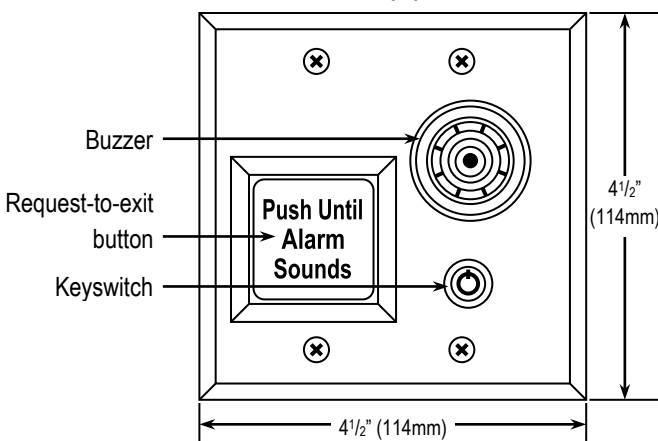
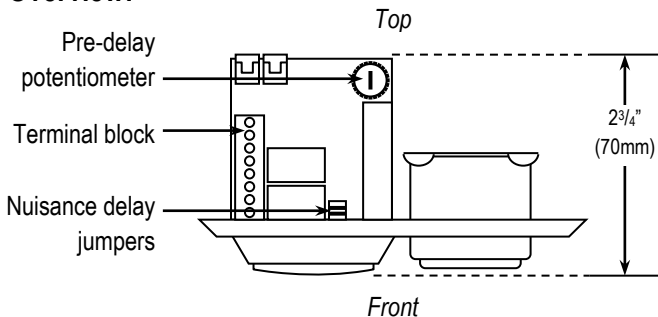
Introduction:

The SD-7428-GSEQ allows for a controlled exit from a room protected by an electromagnetic door lock. To exit the room, press the large green button until the built-in buzzer sounds, at which time a programmed pre-exit delay timer begins. After the delay, the door unlocks and stays unlocked. To relock the door, use the included keys to turn the keyswitch.

Specifications:

Operating voltage	12~24 VDC	
Current draw	Standby	60mA@12VDC, 90mA@24VDC
	Release delay	150mA@12VDC, 55mA@24VDC
	Lock relay output	10mA@12VDC, 16mA@24VDC
Lock control output	3A@30VDC, Form C, NO/NC/COM	
Remote alarm output	3A@30VDC, Form C, NO/NC/COM	
Buzzer sound level	100db@1m / 12VDC	

Overview:

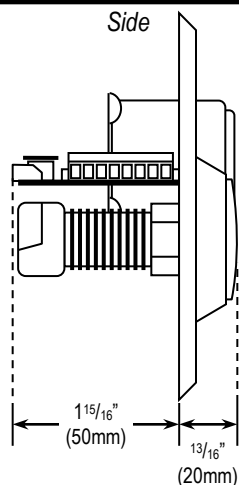


Parts List:

- 1x Request-to-Exit Button with Delayed Egress Timer
- 4x Mounting screws
- 2x Keys
- 1x Manual

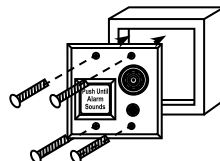
Replacement Keys:

SD-7428-KEY
(Sold separately in packs of 5)

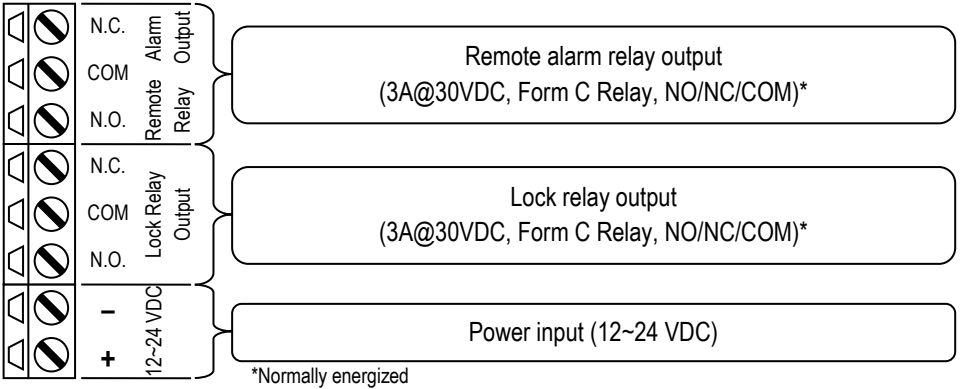


Mounting:

The Request-to-Exit Button with Delayed Egress Timer mounts to a standard double-gang backbox. Use the four included mounting screws to secure the double-gang plate to the backbox.

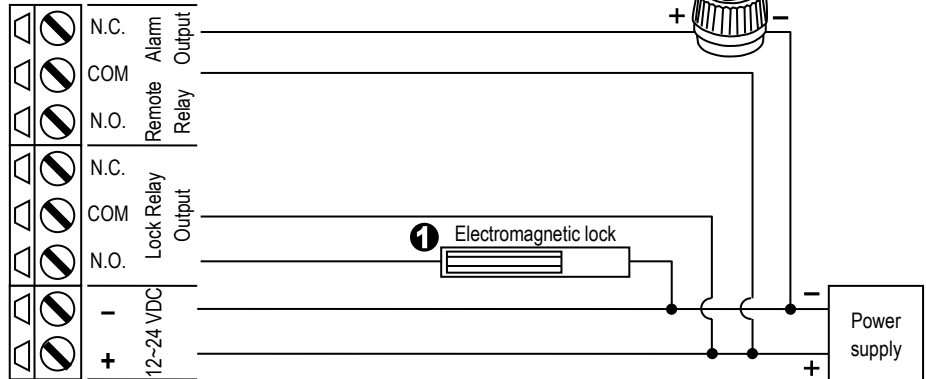


Wiring Diagram:



Sample Application:

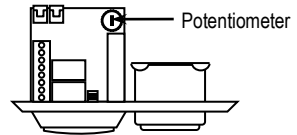
Delayed exit from a building:



1. An electromagnetic lock, such as the E-941SA-1200, is connected to the lock relay output.
 2. A strobe light, such as the SL-1301-BAQ, can be connected to the remote alarm relay output.
- This device will signal at a remote location whenever the remote alarm relay output is triggered.

Adjusting the Pre-Delay:

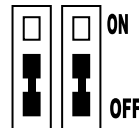
The pre-delay can be adjusted using the potentiometer located on the circuit board. The pre-delay timer can be adjusted from 1-30 seconds. This sets the duration of time between the end of the nuisance delay and when the door will unlock.



Adjusting the Nuisance Delay:

The nuisance delay determines how long the push button must be activated before the pre-delay timer will start. The nuisance delay can be programmed from 0~3 seconds.

NOTE: The nuisance delay is preset to 3 seconds.



Example:
Set to 0 seconds

Nuisance delay	0 Seconds	1 Second	2 Seconds	3 Seconds
JP1	OFF	ON	OFF	ON
JP2	OFF	OFF	ON	ON

Lock Relay Output:

- The SD-7428-GSEQ is equipped with a 3A@30VDC Form C dry relay output that can be used with a fail-safe lock.
 - The lock relay is normally energized.
 - The lock relay will de-energize after the pre-delay time expires. The lock relay will re-energize once the keyswitch is turned on momentarily.
-

Remote Alarm Relay Output:

- The SD-7428-GSEQ is equipped with a 3A@30VDC Form C dry relay output for a remote alarm.
 - The remote alarm relay is normally energized.
 - A remote device or alarm connected to this output will be triggered at the start of the pre-delay timer.
 - The remote alarm output will continue signaling until the keyswitch is turned on momentarily.
 - In the event of power loss, the remote alarm relay will de-energize to trigger the remote alarm.
-

Troubleshooting:

Request-to-Exit Button will not release the lock

- Check the nuisance delay (see page 3)
 - Check the pre-delay timer (see page 3)
-

Door will not relock

- Turn keyswitch to re-energize lock relay
-

IMPORTANT: Users and installers of this product are responsible for ensuring that the installation and configuration of this product complies with all national, state, and local laws and codes related to locking and egress devices. SECO-LARM will not be held responsible for the use of this product in violation of any current laws or codes.

WARRANTY: This SECO-LARM product is warranted against defects in material and workmanship while used in normal service for the life of the product from the date of sale to the original customer. SECO-LARM's obligation is limited to the repair or replacement of any defective part if the unit is returned, transportation prepaid, to SECO-LARM. This Warranty is void if damage is caused by or attributed to acts of God, physical or electrical misuse or abuse, neglect, repair or alteration, improper or abnormal usage, or faulty installation, or if for any other reason SECO-LARM determines that such equipment is not operating properly as a result of causes other than defects in material and workmanship. The sole obligation of SECO-LARM and the purchaser's exclusive remedy shall be limited to the replacement or repair only, at SECO-LARM's option. In no event shall SECO-LARM be liable for any special, collateral, incidental, or consequential personal or property damage of any kind to the purchaser or anyone else.

NOTICE: The information and specifications printed in this manual are current at the time of publication. However, the SECO-LARM policy is one of continual development and improvement. For this reason, SECO-LARM reserves the right to change specifications without notice. SECO-LARM is also not responsible for misprints or typographical errors. Copyright © 2013 SECO-LARM U.S.A., Inc. All rights reserved. This material may not be reproduced or copied, in whole or in part, without the written permission of SECO-LARM.

SECO-LARM® U.S.A., Inc.

16842 Millikan Avenue, Irvine, CA, 92606 Website: www.seco-larm.com

Tel: (949) 261-2999 | (800) 662-0800 Email: sales@seco-larm.com



 PITSW4

MISD-7428-GSEQ_1308.docx
Order part # 763-178*