

Installation Manual

ENFORCER®

SD-962AR-36M

Modern Flat Rim-Type Exit Bar



Features:

- Sturdy aluminum construction.
- Allows exit from inside while locked from outside.
- Reversible non-handed design.
- For metal or wood doors up to 1³/₄" thick.
- Includes all needed hardware for typical installation.
- Works with rim cylinder locks (not included).
- Fits doors from 36" to 48" wide.

What It Does:

SECO-LARM's SD-962AR-36M exit device, when mounted on the inside of a door to block entry to a protected premises, securely locks the door from outside access while allowing users inside the protected premises to exit. The hardy aluminum enclosure protects the exit device from abuse, yet easily unlocks the door from the inside by users who require exit. It can be connected to a rim cylinder lock on the outside of the door in order to allow entry by authorized personnel.

Dimensions:

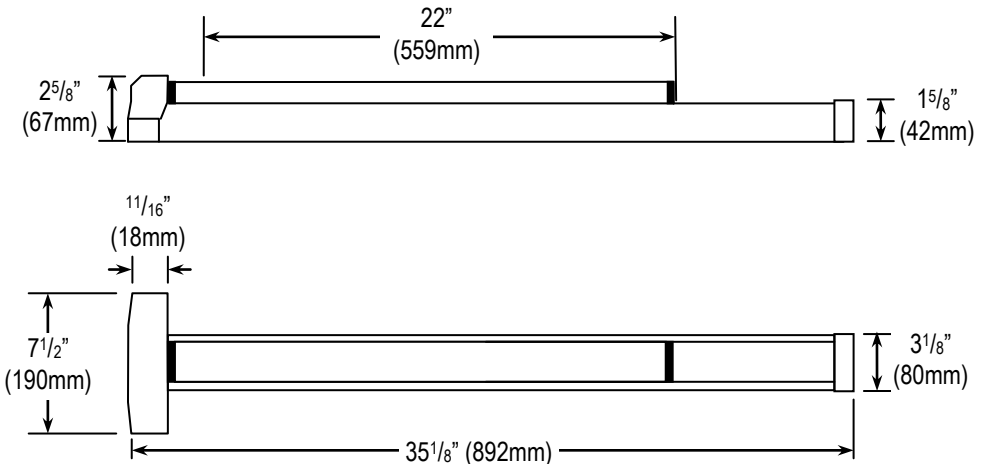


Fig. 2 – Parts Description

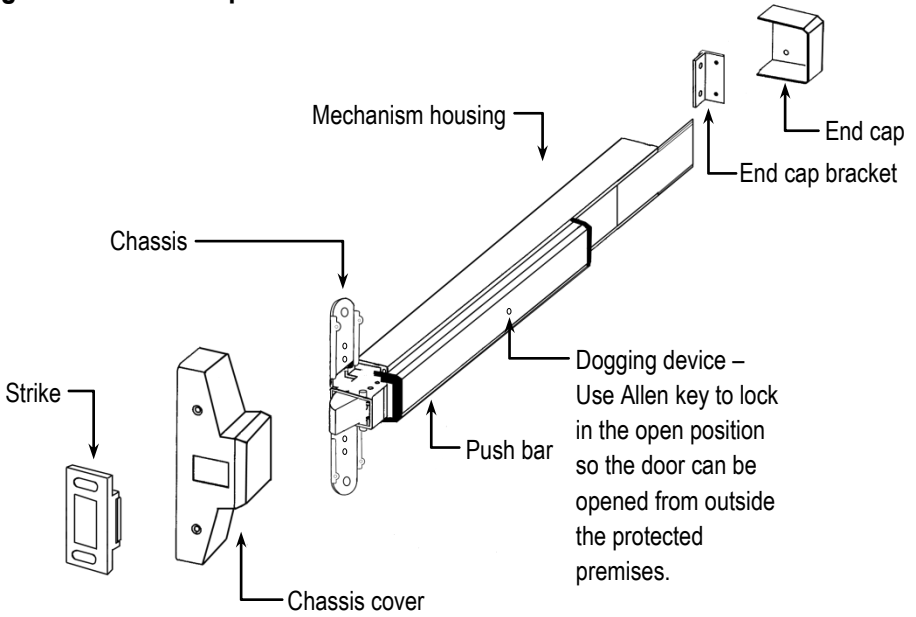


Fig. 3 – Possible Applications

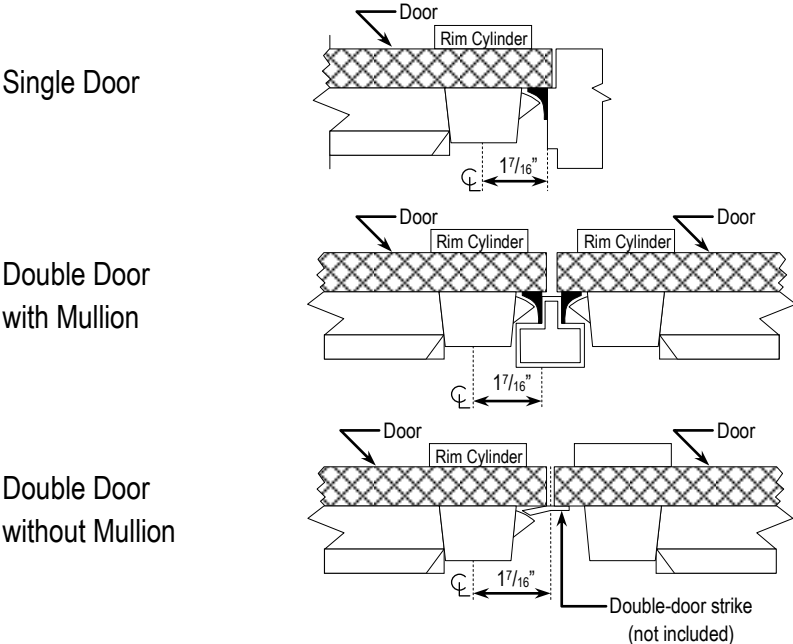


Fig. 4 – Mounting Location

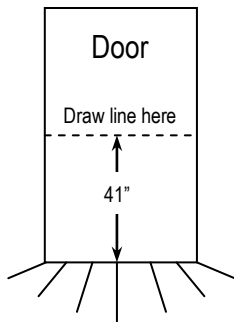


Fig. 5 – Using the Template

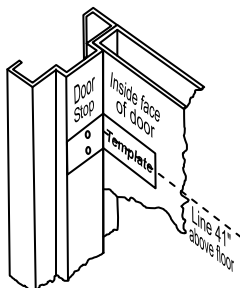


Fig. 6 – Mounting the Strike

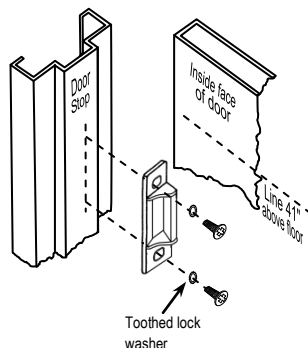
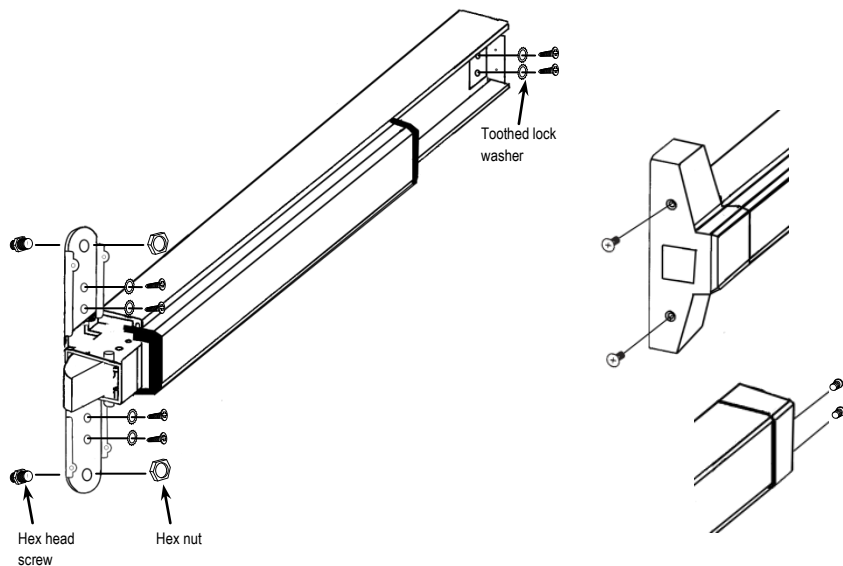


Fig. 7– Final Installation



1. Mark the vertical center line of the exit bar by drawing a line across the door at 41" above the floor. See fig. 4.
2. Fold the included template, and align the center lines on the template with the center line just drawn on the door. Then mark the position of the mounting holes for the latch assembly. See fig. 5.
3. Move the template against the door stop and then mark the mounting holes for the strike.
4. Drill the holes as marked on the door and the mullion. See fig. 6.

Specifications :

Construction	Aluminum
Hand	Non-handed
Latch bolt	Steel 19mm throw
Spring	Stainless steel
Chassis	Aluminum
Cover	Aluminum
Rail assembly	Aluminum
End cap	Aluminum
Dimensions	35 ¹ / ₈ "x7 ¹ / ₂ "x2 ⁵ / ₈ " (892x190x67 mm)
Weight	6-lb, 7-oz (2.9kg)

Parts List:

1 x Rim-Type Exit Device	1 x Strike	1 x End cap bracket
1 x Manual	1 x Hex wrench	1 x Plate spacer for strike (3.2mm)
3 x Mounting templates	1 x End cap	1 x Plate spacer for strike (1.6mm)

Screws Included:

Mounting chassis to door:

- 2 x Hex head screws (for the outside holes)
- 2 x Hex nuts (for the outside holes)
- 4 x Mounting screws (for the inside holes—wood doors)
- 4 x Mounting screws (for the inside holes—metal doors)
- 4 x Toothed lock washers (for the inside holes)

Connecting cover to chassis:

- 2 x Set screws

Connecting end cap to end cap bracket:

- 2 x Set screws

Mounting end cap bracket to door:

- 2 x Mounting screws (wood doors)
- 2 x Mounting screws (metal doors)
- 4 x Toothed lock washers

Mounting strike to door:

- 2 x Mounting screws (wood doors)
- 2 x Mounting screws (metal doors)
- 2 x Toothed lock washer

WARNING: Incorrect mounting that leads to exposure or moisture inside the enclosure could damage the device and will void the warranty.

WARRANTY: This SECO-LARM product is warranted against defects in material and workmanship while used in normal service for a period of one (1) year from the date of sale to the original consumer customer. SECO-LARM's obligation is limited to the repair or replacement of any defective part if the unit is returned, transportation prepaid, to SECO-LARM.

This Warranty is void if damage is caused by or attributed to acts of God, physical or electrical misuse or abuse, neglect, repair or alteration, improper or abnormal usage, or faulty installation, or if for any other reason SECO-LARM determines that such equipment is not operating properly as a result of causes other than defects in material and workmanship.

The sole obligation of SECO-LARM, and the purchaser's exclusive remedy, shall be limited to replacement or repair only, at

SECO-LARM's option. In no event shall SECO-LARM be liable for any special, collateral, incidental, or consequential personal or property damages of any kind to the purchaser or anyone else.

NOTICE

The information and specifications printed in this manual are current at the time of publication. However, the SECO-LARM policy is one of continual development and improvement. For this reason, SECO-LARM reserves the right to change specifications without notice.

SECO-LARM is also not responsible for misprints or typographical errors.

Copyright © 2011 SECO-LARM U.S.A., Inc. All rights reserved. This material may not be reproduced or copied, in whole or in part, without the written permission of SECO-LARM.

SECO-LARM U.S.A., Inc.

16842 Millikan Avenue, Irvine, CA 92606
Tel: 800-662-0800 / 949-261-2999

Website: www.seco-larm.com
E-mail: sales@seco-larm.com



MiSD-962AR-361_1107.docx