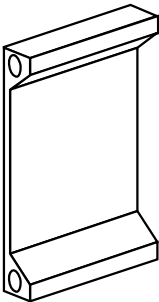


SECO-LARM

Door Strike Lip Extensions

SD-995C-LE25 (1")

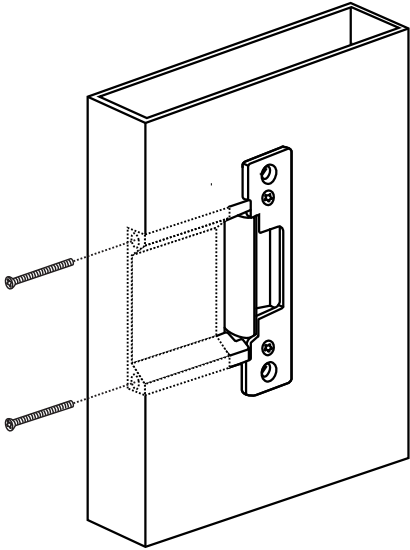
SD-995C-LE50 (2")



SD-995C-LE50
2" (50mm)



SD-995C-LE25
1" (25mm)



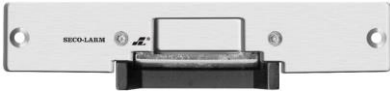
Compatible with:

SD-994C/SD-994C24	Electric Door Strike for Wood Doors
SD-995C/SD-995C24	Electric Door Strike for Metal Doors
SD-996C-NUQ	Universal Door Strike

SECO-LARM Lip Extensions

Also Available from SECO-LARM:

Electric Door Strike for Wood Doors
SD-994C



Electric Door Strike for Metal Doors
SD-995C



Universal Door Strike
SD-996-NUQ



Keypad with Proximity Card Reader
SK-1121-SPQ



Gate Locks with Weldable Brackets
E-94xFC-xxxSQ



(E-942FC-1K3SQ shown)

Gate Locks with Face and Surface Mounting
E-94xFC-xxxQ



(E-946FC-1K2Q shown)

For a complete listing of SECO-LARM products, please visit us online at www.seco-larm.com.

LIMITED WARRANTY: This SECO-LARM product is warranted against defects in material and workmanship while used in normal service for one (1) year from the date of sale to the original customer. SECO-LARM's obligation is limited to the repair or replacement of any defective part if the unit is returned, transportation prepaid, to SECO-LARM. This Warranty is void if damage is caused by or attributed to acts of God, physical or electrical misuse or abuse, neglect, repair or alteration, improper or abnormal usage, or faulty installation, or if for any other reason SECO-LARM determines that such equipment is not operating properly as a result of causes other than defects in material and workmanship. The sole obligation of SECO-LARM and the purchaser's exclusive remedy, shall be limited to the replacement or repair only, at SECO-LARM's option. In no event shall SECO-LARM be liable for any special, collateral, incidental, or consequential personal or property damage of any kind to the purchaser or anyone else.

NOTICE: The information and specifications printed in this manual are current at the time of publication. However, the SECO-LARM policy is one of continual development and improvement. For this reason, SECO-LARM reserves the right to change specifications without notice. SECO-LARM is also not responsible for misprints or typographical errors. Copyright © 2014 SECO-LARM U.S.A., Inc. All rights reserved. This material may not be reproduced or copied, in whole or in part, without the written permission of SECO-LARM. Trademarks are the property of SECO-LARM U.S.A., Inc. or their respective owners.

SECO-LARM U.S.A., Inc.

16842 Millikan Avenue, Irvine, CA 92606

Website: www.seco-larm.com

 PITGW1

Phone: (949) 261-2999 | (800) 662-0800

Email: sales@seco-larm.com

MI5D-995C-LExx_140804.docx