

# ENFORCER®

## VS-1AHHAQ HDMI Surge Protector

### Manual



- Helps prevent damage to sensitive HDMI equipment such as players, monitors, and projectors
- Intercepts repeated surges and spikes that could damage HDMI A/V equipment
- Built-in ESD, EFT
- Reaction speed <math><1\text{ns}</math>
- Passive operation – no external power required
- Includes a 12" (30cm) grounding wire for convenient connection to ground

# ENFORCER HDMI Surge Protector

## Introduction:

The ENFORCER HDMI Surge Protector is a passive device that helps protect sensitive HDMI equipment from power surges. The device can be deployed in new installations or existing ones.

The ENFORCER HDMI Surge Protector should be installed between HDMI equipment such as players, monitors, and projectors to protect against surges that could damage the video equipment.

**NOTE:** For the best protection, installing two surge protectors is recommended: one at each end of the cable.

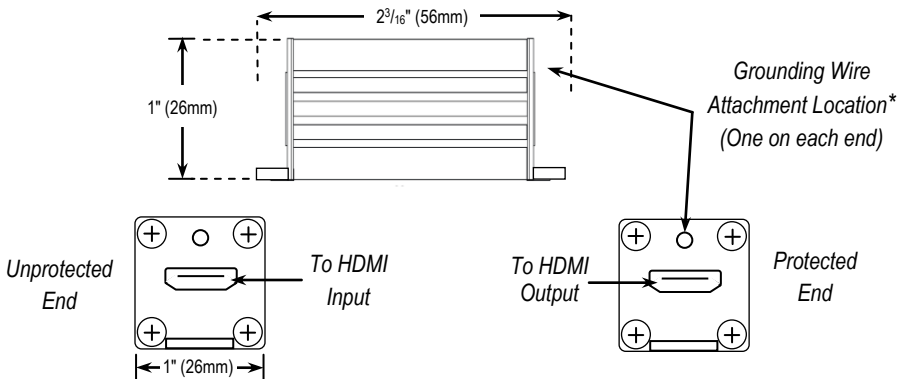
## Parts List:

1x HDMI Surge Protector	2x Mounting screws	1x 12" (30cm) grounding wire
1x Manual	2x Plastic wall anchors	1x Grounding wire screw

## Specifications:

ESD protection	15kV (ESD), 8kV (Contact)	
EFT protection	40A (5/50ns)	
Surge protection	5A (8/20ns)	
Surge reaction speed	<1ns	
Connector	In	HDMI
	Out	HDMI
Dimensions	2 <sup>3</sup> / <sub>16</sub> "x1"x1" (56x26x26 mm)	
Weight	1.2-oz (35g)	
Material	Aluminum	
Operating temperature	32°~131°F (0°~55° C)	

## Overview:



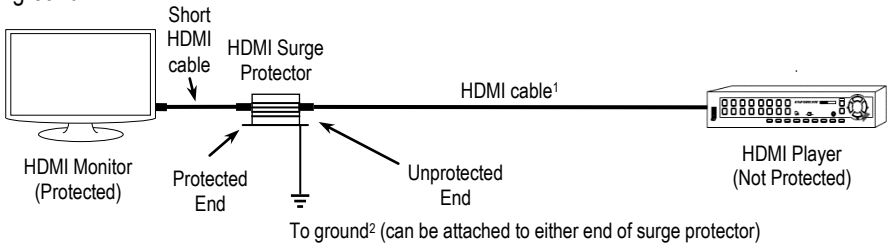
**\*Note:** There is a 'Grounding Wire Attachment Location' included on both ends of the HDMI Surge Protector. Grounding wire can be attached to either of these locations.

## Installation:

**NOTE:** These instructions assume that 2 HDMI devices have already been connected together.

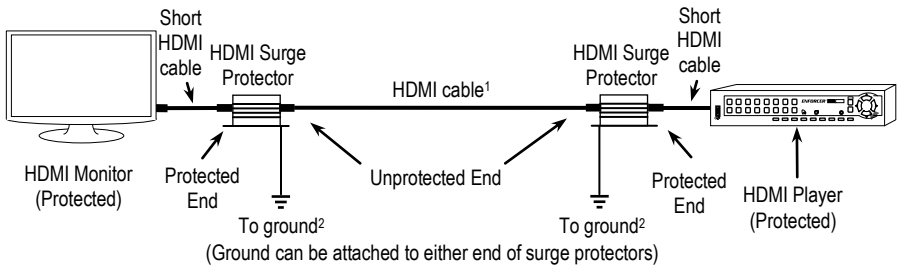
### Protecting a Single Device:

1. Detach the existing HDMI cable<sup>1</sup> from the device to be protected and attach that cable to the “Unprotected” end of the HDMI Surge Protector.
2. Attach another HDMI cable (not included) between the device to be protected and the “Protected” end of the HDMI Surge Protector. The protected cables should be as short as possible and should not cross unprotected cables.
3. Connect the ground wire from the HDMI Surge Protector (either end<sup>2</sup>) to earth ground. The system should use a single ground point and the protected device should be isolated from ground.



### Protecting Multiple Devices:

1. Detach the HDMI cable<sup>1</sup> from both devices to be protected.
2. Attach an HDMI Surge Protector to each end of the HDMI cable, ensuring that the cable is connected to the “Unprotected” end of the HDMI Surge Protector.
3. Attach another HDMI cable (not included) between each device to be protected and the “Protected” end of its respective HDMI Surge Protector. For best protection, the protected cables should be as short as possible and should not cross unprotected cables.
4. Connect the ground wire from each HDMI Surge Protector (either end<sup>2</sup>) to earth ground. The system should use a single ground point and the protected device should be isolated from ground.



<sup>1</sup>**Note:** The maximum length of the HDMI cable will depend on the cable's specification and quality.

<sup>2</sup>**Note:** There is a 'Grounding Wire Location' included on both ends of the HDMI Surge Protector. Grounding wire can be attached to either of these locations.

# ENFORCER HDMI Surge Protector

## Troubleshooting:

Video image is weak or faded

- Reduce the cable length—max. 16.4ft (5m) for 1080p, 11.5ft (3.5m) for 4K2K
- Replace with a higher-grade HDMI cable

No video image

- Double-check that the cables were connected properly
- Run a continuity test on all wires in the cable
- Make sure source and the display are powered
- Make sure that there are no problems with the HDMI source, HDMI cables, or HDMI display by removing the HDMI surge protector.

## Also Available from SECO-LARM:

Video Surge Protector  
**VS-1V12BQ**



IP Surge Protector  
**IPV-PD88Q**



PoE Surge Protector  
**IPV-P188Q**



HD-SDI Surge Protector  
**VS-1V22AQ**



**IMPORTANT:** Users and installers of this product are responsible for ensuring this product complies with all national, state, and local laws and statutes related to monitoring and recording audio and video signals. SECO-LARM will not be held responsible for the use of this product in violation of any current laws or statutes.

**WARNING:** Incorrect mounting which leads to exposure to rain or moisture inside the enclosure could cause a dangerous electric shock, damage the device, and void the warranty. Do not open the case of this device, as there are no field-serviceable components inside.

**WARRANTY:** This SECO-LARM product is warranted against defects in material and workmanship while used in normal service for a period of one (1) year from the date of sale to the original consumer customer. SECO-LARM's obligation is limited to the repair or replacement of any defective part if the unit is returned, transportation prepaid, to SECO-LARM. This Warranty is void if damage is caused by or attributed to acts of God, physical or electrical misuse or abuse, neglect, repair, or alteration, improper or abnormal usage, or faulty installation, or if for any other reason SECO-LARM determines that such equipment is not operating properly as a result of causes other than defects in material and workmanship. The sole obligation of SECO-LARM, and the purchaser's exclusive remedy, shall be limited to replacement or repair only, at SECO-LARM's option. In no event shall SECO-LARM be liable for any special, collateral, incidental, or consequential personal or property damages of any kind to the purchaser or anyone else.

**NOTICE:** The information and specifications printed in this manual are current at the time of publication. However, the SECO-LARM policy is one of continual development and improvement. For this reason, SECO-LARM reserves the right to change specifications without notice. SECO-LARM is also not responsible for misprints or typographical errors.

Copyright © 2015 SECO-LARM U.S.A., Inc. All rights reserved. This material may not be reproduced or copied, in whole or in part, without the written permission of SECO-LARM.

### SECO-LARM® U.S.A., Inc.

16842 Millikan Avenue, Irvine, CA 92606

Tel: 800-662-0800 / 949-261-2999 Fax: 949-261-7326

Website: [www.seco-larm.com](http://www.seco-larm.com)

E-mail: [sales@seco-larm.com](mailto:sales@seco-larm.com)

 PITSW4

MIVS-1AHHAQ\_141215.docx