

Flush-Mount Request-to-Exit Plate

SD-7286-GWQ

Features:

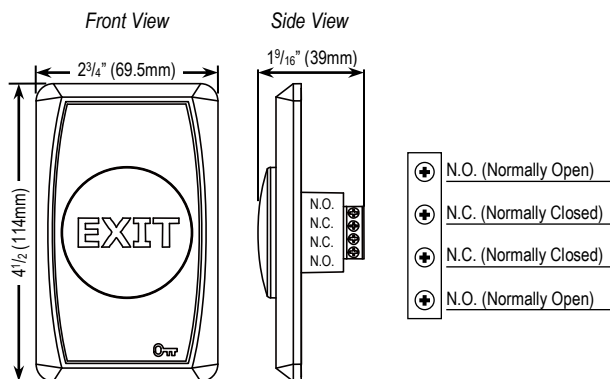
- Large green 2" diameter pushbutton
- Flush mount, protrudes only 9/16" (15mm)
- Aluminum back plate fits to single-gang box
- White ABS plastic front cover snaps to back plate
- DPDT Momentary switch, 5A@125VAC contact rating

Specifications:

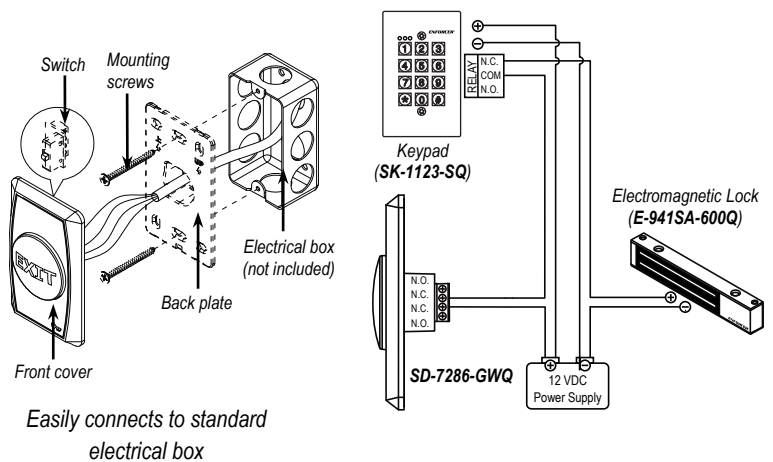
Model	SD-7286-GWQ
Contact rating	5A@125VAC (3A@12VDC)
Switch type	DPDT Switch (momentary)
Dimensions	4 1/2" x 2 3/4" x 1 9/16" (114 x 69.5 x 39mm)



Dimensions:



Sample Application:



Also Available from SECO-LARM®:



Illuminated
Request-to-Exit Plate
SD-7202GC-PEQ



Mushroom
Request-to-Exit Plate
SD-7201GC-PEQ



Vandal-Resistant
Request-to-Exit Plate
SD-7204SGEX1Q



Outdoor No-Touch Sensor
with Manual Override
SD-9263-KSVQ



Indoor
No-Touch Sensor
SD-927PKC-NEQ



Piezoelectric
Request-to Exit Plate
SD-927PKC-SS1Q

SECO-LARM® U.S.A., Inc.

16842 Millikan Avenue, Irvine, CA 92606

Phone: (949) 261-2999 | (800) 662-0800 Fax: (949) 261-7326

Website: www.seco-larm.com Email: sales@seco-larm.com



Copyright 2014 © SECO-LARM U.S.A., Inc. All rights reserved. All trademarks are the property of SECO-LARM U.S.A., Inc. or their respective owners. The SECO-LARM policy is one of continual development. For that reason, SECO-LARM reserves the right to change prices and specifications without notice. SECO-LARM is not responsible for misprints.

SECO-LARM® ENFORCER® CRIMEBUSTER® CBA SLI®

Pi_SD-7286-GWQ_140912.docx