

ENFORCER[®]

ACCESS

Access Control Keypad

Two Models to Choose From:

SK-983A 1 relay output, 2 users

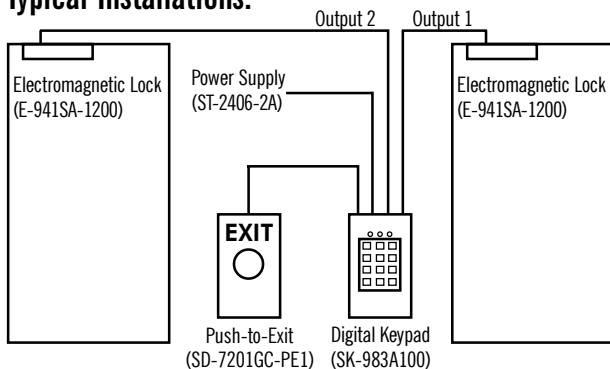
SK-983A100 2 relay outputs,
single/multi-user
(up to 111 users)

Features:

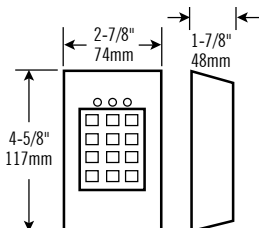
- Flexible — Ideal for access control and security applications.
- Secure — Over 100 million possible codes and multiple levels of codes (master, user, duress, quick).
- Duress code — Allows the user to activate the keypad while simultaneously sending a panic signal or activating a telephone dialer.
- Quick code — 2-digit version of user code for easy entry/exit.
- Egress output — Connect to push button inside the protected area to allow exiting the protected area without using the keypad code.
- Protection against unauthorized use — Programmable code lockout or duress output after multiple unsuccessful attempts to key in the code.
- Stainless-steel face — Durable finish for long-lasting great looks and protection.
- Built-in buzzer — Audible confirmation of functions and coding.
- Back box included.



Typical Installations:



Dimensions (with box):



Specifications:

		SK-983A	SK-983A100
Power Input:			
Current Draw	Standby:	6mA	6mA
	Active:	40mA	Single Relay: 40mA Both Relays: 80mA
LEDs	Amber:	Confirms programming functions	Indicates Power
	Green:	Relay activated	Relay #1 activated
	Red:	Indicates key pressed	Relay #2 activated
Code Combinations:		100 Million	
4-Level of Codes Available:	1 - Master	1 to 8 digits	4 to 8 digits
	2 - User	1 to 8 digits (single user only)	Relay Outputs: #1 4 to 8 digits, up to 100 user codes. #2 4 to 8 digits, up to 10 user codes.
	3 - Duress	NPN transistor open collector, switches to ground(-) when activates, 100mA, 25VDC Max. (for SK-983A100, only relay output #1)	
	4 - Quick	First two digits of the user code (for SK-983A100, only relay output #1)	
Relay Output(s):	Ratings:	5A, 24VDC Max	Relay #1 5A, 24VDC Max. Relay #2 1A, 24VDC Max.
	Programmable:	N.O. / N.C.	N.O. / N.C. (both relay outputs)
	Momentary Output:	1-999 Seconds	1-999 Seconds (both relay outputs)
	Shunt Output:		Yes
Keypad Lock Out:		Yes	
Tamper Circuit:		N.C.	
Weight:		6.2 oz.(175g)	
Mounting Accessories:		Back box and mounting hardware included	

The SECO-LARM policy is one of continual development. For that reason, SECO-LARM reserves the right to change prices and specifications without notice. SECO-LARM is not responsible for misprints.

SECO-LARM[®] U.S.A., Inc.
16842 Millikan Avenue, Irvine, CA 92606

Tel: 1-800-662-0800 (Domestic U.S. & Canada) Tel: 1-949-261-2999 (California & international)
Fax: 1-949-261-7326 Email: info@seco-larm.com Website: www.seco-larm.com

SK983A100_0827.p65