

Installation Manual

ENFORCER[®]

EVP-1SA4P4UL (4 outputs @ 24VAC, 4Amps*)

EVP-1SA4P9UL (9 outputs @ 24VAC, 4Amps*)

EVP-1SA8P16UL (16 outputs @ 24VAC, 8Amps*)

AC Power Supplies for CCTV Cameras and Accessories

*Total supply current, each channel output is fused at 1.1 Amp.

Also available:

EVP-1SD2P4UL 4 Outputs @ 6/12/24VDC, 2 Amps

EVP-1SD4P9UL 9 Outputs @ 6/12/24VDC, 4 Amps

EVP-1SD6P16UL 16 Outputs @ 6/12/24VDC, 6 Amps

SPECIFICATIONS:

4,9, or 16 24VAC outputs:

- ▶ Each individually fused (PTC** -type fuses)
- ▶ Output PTC fuses rated 1.1 Amps
- ▶ Individual red LED status indicator for each output
- ▶ Main power switch to turn ON/OFF power to outputs

POWER:

- ▶ Input: 120VAC, 60Hz
- ▶ Output: 24VAC/100VA (2 x 100VA for EVP-1SA8P16UL)
- ▶ UL approved
- ▶ Total 4.0 Amps, (8 Amps for EVP-1SA8P16UL)
- ▶ Main fuse rated 5.0 Amps @ 250VAC
- ▶ Spare fuse included
- ▶ 6-foot power cord included



(EVP-1SA4P9UL shown)

ENCLOSURE:

- ▶ Heavy-duty steel case to protect the power connections
- ▶ Removable steel cover for easy access to power connections
- ▶ Ventilation holes to prevent heat build-up
- ▶ Dimensions - 10" x 7.75" x 3.5"
(254 x 196 x 89 mm)
- ▶ Knock-out on the cover for optional cam lock

** Positive Temperature Coefficient

What it is:

The ENFORCER CCTV Power Supply centralizes the power sources for four, nine, or sixteen AC-powered CCTV cameras and/or CCTV accessories. The power input, power transformer, and all fused power outputs are enclosed in one heavy-duty, easy-to-install enclosure. As a result, an ENFORCER CCTV Power Supply can replace up to sixteen individual power sources.

Note before installation:

The ENFORCER CCTV Power Supply is not waterproof or weatherproof. Therefore, it must be mounted indoors where it cannot be exposed to rain or other moisture.

Installation must be done by qualified personnel, and should conform to local and all other applicable codes.

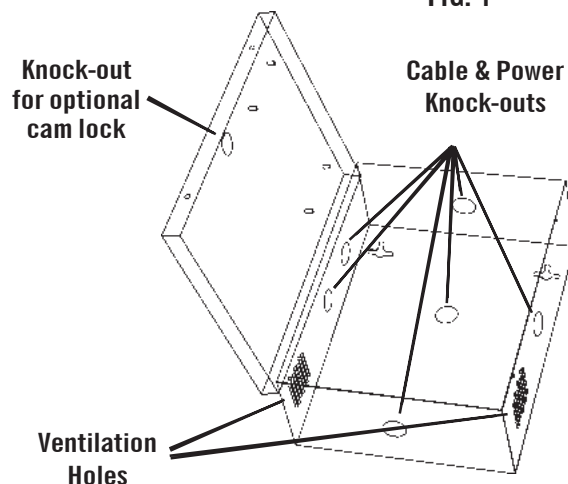
Installation:

1. Find a good location for the enclosure - The enclosure should be mounted where it is out of sight and protected from moisture and the weather, but where an authorized person can have access for servicing in the future.

NOTE: Make sure the space where the enclosure is to be mounted has adequate ventilation. Otherwise, heat buildup inside the enclosure could damage the electronic parts or cause the PTC fuses to trip needlessly.

2. Locate the enclosure mounting holes. Using these holes as a template, mark the location of the 4 screws on the wall with a pencil. First fasten two 5/32" x 1" (4 x 26mm) upper screws (not included) until the gap between the wall and the screw head is approximately 1/4" (6mm). Hang the enclosure on the 2 screws using the enclosure's upper screw holes and adjust the proper location of the enclosure. Then securely fasten the upper and lower screws.

FIG. 1



CCTV AC Power Supply Installation Manual

NOTE: For concrete walls, first drill four holes on the concrete wall in the location of the screws. Then insert a "plastic anchor" in each of the holes first before fastening the screws.

- Determine how the main power line and power cables to the CCTV cameras or accessories will be run (fig. 1). The enclosure has knock-outs on the sides, top, and rear panels for running cables. Knock out the appropriate knock-outs.

NOTE: If cables are run out of the side, top, or bottom panels, they should be protected by an electrical conduit of not more than 1" outside diameter, and wires running inside the electrical conduit must not be too tight.

- To connect the main power cord to the small white terminal block, follow the wire color indicated on the "NEA" label that is placed beside the terminal block. (i.e. white wire on top, green wire to the middle and black wire to the bottom of the terminal block, see Fig. 2). Use the provided nut and cable clamp to fasten the power cord onto the metal enclosure on the location shown on Fig. 2 if necessary. A plastic snap bushing is also provided for the power cord hole (see Fig. 2).

Use the provided nut and cable clamp to fasten the power cord onto the metal enclosure on the location shown on Fig. 2 if necessary. A plastic snap bushing is also provided for the power cord hole (see Fig. 2).

- Connect the power input wires of the CCTV cameras or accessories to the red printed circuit board (see fig. 2).

NOTE 1: Double-check the maximum operating voltage for each device before connecting it to a terminal pair.

NOTE 2: Connect a maximum of 4, 9, or 16 devices to the red printed circuit board.

NOTE 3: The CCTV cameras and accessories connected to the red printed circuit board must be capable of working with 24VAC power sources.

- Turn the main switch ON.

NOTE: The green LED on the red printed circuit board will light to show that AC power is present. The red LEDs, one for each output, on the printed circuit board will light to show the status of each terminal pair, with ON meaning that the terminal pair is working correctly.

- Close the steel door of the enclosure and secure it with either the provided machine screws or an optional cam lock (see fig. 3).

FIG. 3: Securing the Enclosure: Close the cover, then secure with included machine screws or optional cam lock.

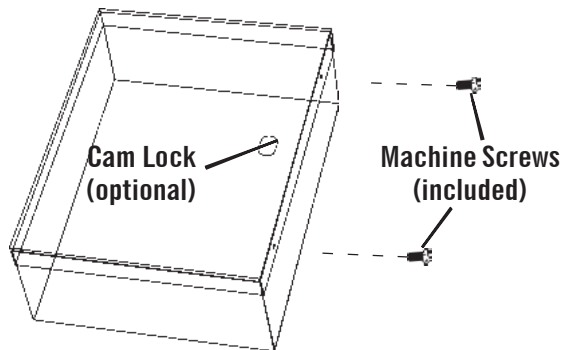
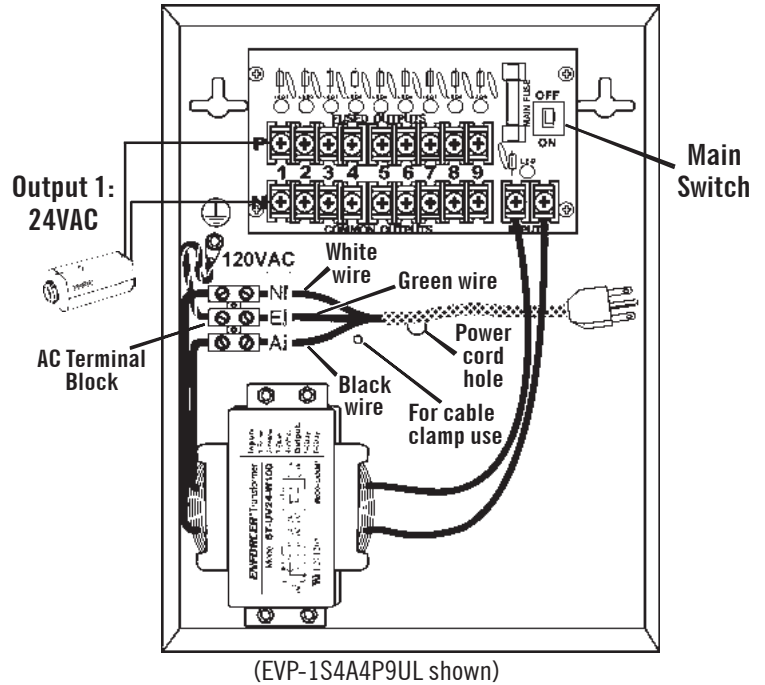
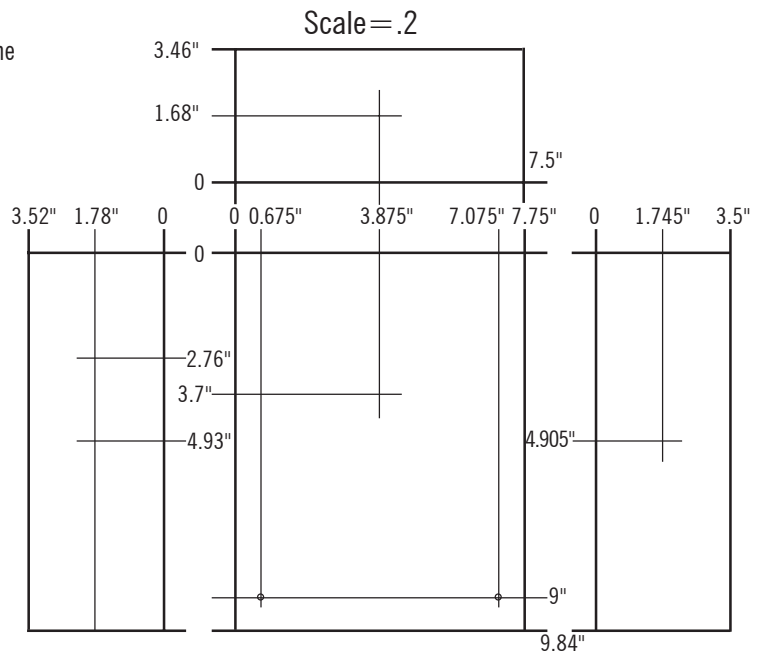


FIG. 2: Power Connections



Dimensions:



The SECO-LARM® policy is one of continual development and improvement. For that reason, SECO-LARM reserves the right to change specifications without notice. SECO-LARM is not responsible for misprints.

WARRANTY: This SECO-LARM product is warranted against defects in material and workmanship while used in normal service for a period of one (1) year from the date of sale to the original consumer customer. SECO-LARM's obligation is limited to the repair or replacement of any defective part if the unit is returned, transportation prepaid, to SECO-LARM. This Warranty is void if damage is caused by or attributed to acts of God, physical or electrical misuse or abuse, neglect, repair, or alteration, improper or abnormal usage, or faulty installation, or if for any other reason SECO-LARM determines that such equipment is not operating properly as a result of causes other than defects in material and workmanship. The sole obligation of SECO-LARM, and the purchaser's exclusive remedy, shall be limited to replacement or repair only, at SECO-LARM's option. In no event shall SECO-LARM be liable for any special, collateral, incidental, or consequential personal or property damages of any kind to the purchaser or anyone else.

SECO-LARM® U.S.A., Inc., 16842 Millikan Avenue, Irvine, CA 92606
Tel: 800-662-0800 / 949-261-2999 Fax: 949-261-7326

Website: www.seco-larm.com
E-mail: sales@seco-larm.com

MiEvpAc120_05C.pmd
Order Part #764-010-1/05C
PITSW1