

ENFORCER CCD Dome Camera Manual

TROUBLE SHOOTING

The screen is blank	<ul style="list-style-type: none">• Check that the dome camera is powered up.• Check that the monitor is powered up.• Check that the video cable connecting the camera to the monitor is connected properly.
The screen image is dim	<ul style="list-style-type: none">• Clean the lens (using a soft, clean cloth).• Check that the light source is adequate.• Clean the dome (using a soft, clean cloth).
The screen image has poor contrast	<ul style="list-style-type: none">• Adjust the monitor's contrast knob.• Change the position of the camera
The screen image flickers	<ul style="list-style-type: none">• Change the position of the camera
The screen image is distorted	<ul style="list-style-type: none">• Change the position of the camera
The camera case is hot	<ul style="list-style-type: none">• Check that the correct power supply is in use.

IMPORTANT

Users and installers of this product are responsible for ensuring this product complies with all national, state, and local laws and statutes related to monitoring and recording audio and video signals. **SECO-LARM** will not be held responsible for the use of this product in violation of any current laws or statutes.

WARNING

- Stop using the camera if you see a malfunction like smoke or unusual heat, as it could cause fire or electric shock. Do not modify this device, as there are no field-serviceable components inside.
- This product was designed for indoor use only. Mounting outdoors or exposure to rain or moisture could cause a dangerous electric shock, damage the device, and void the warranty. Do not modify this device, as there are no field-serviceable components inside.

FCC COMPLIANCE STATEMENT

Information to the user: This equipment has been tested and found to comply with the limits for a Class A digital device, pursuant to Part 15 of the FCC rules. These limits are designed to provide reasonable protection against harmful interference when the equipment is operated in a commercial environment. This equipment generates, uses and can radiate radio frequency energy and, if not installed and used in accordance with the instruction manual, may cause harmful interference to radio communications. Operation of this equipment in a residential area is likely to cause harmful interference in which case the user will be required to correct the interference at his own expense.

WARRANTY: This SECO-LARM product is warranted against defects in material and workmanship while used in normal service for a period of one (1) year from the date of sale to the original consumer customer. SECO-LARM's obligation is limited to the repair or replacement of any defective part if the unit is returned, transportation prepaid, to SECO-LARM.

This Warranty is void if damage is caused by or attributed to acts of God, physical or electrical misuse or abuse, neglect, repair, or alteration, improper or abnormal usage, or faulty installation, or if for any other reason SECO-LARM determines that such equipment is not operating properly as a result of causes other than defects in material and workmanship. The sole obligation of SECO-LARM, and the purchaser's exclusive remedy, shall be limited to replacement or repair only, at SECO-LARM's option. In no event shall SECO-LARM be liable for any special, collateral, incidental, or consequential personal or property damages of any kind to the purchaser or anyone else.

NOTICE

The information and specifications printed in this manual are current at the time of publication. However, the SECO-LARM policy is one of continual development and improvement. For this reason, SECO-LARM reserves the right to change specifications without notice. SECO-LARM is also not responsible for misprints or typographical errors.

Copyright © 2006 SECO-LARM U.S.A., Inc. All rights reserved. This material may not be reproduced or copied, in whole or in part, without the written permission of SECO-LARM.

SECO-LARM® U.S.A., Inc.

16842 Millikan Avenue, Irvine, CA 92606

Tel: 800-662-0800 / 949-261-2999 Fax: 949-261-7326

Website: www.seco-larm.com

E-mail: sales@seco-larm.com

File:DT/DTP/MEV1223C12_06B.PMD

PITNW1

ENFORCER® VIDEO

MANUAL

1/3" CCD Color Dome Camera

Model Number	Video Format	Lens Size	Viewing* Angle
EV-1223C12	NTSC	4.3mm	78°
EV-122C-2	NTSC	2.9mm	120°
EV-1253C12	PAL	4.3mm	78°
EV-125C-2	PAL	2.9mm	120°

1/3" CCD B/W Dome Camera

Model Number	Video Format	Lens Size	Viewing* Angle
EV-122B-4	EIA	4.3mm	78°
EV-125B-4	CCIR	4.3mm	78°

*All viewing angles are approximate



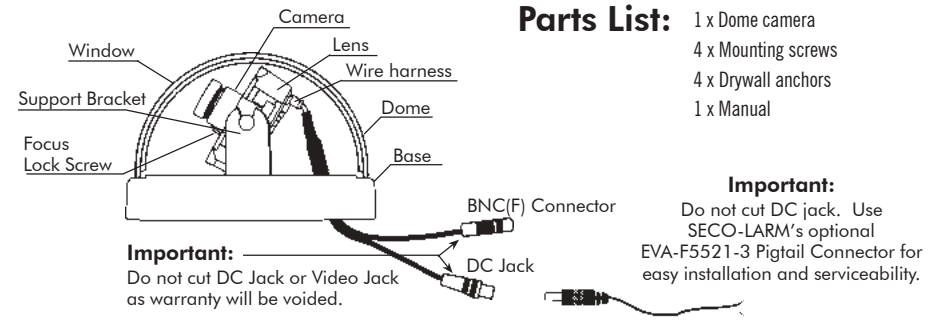
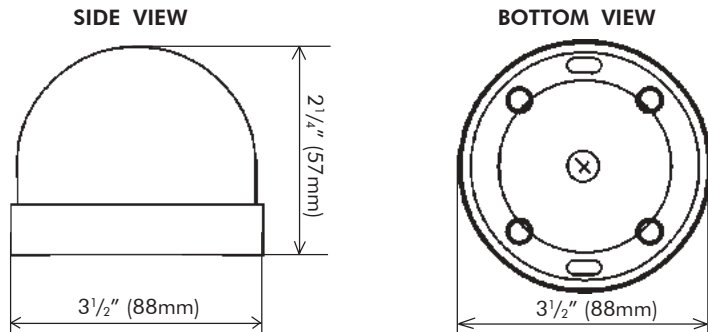
SLI®
SECO-LARM®

Now with Multi-Axis
Gimbal Bracket

Specifications	EV-1223C12 (NTSC) EV-122C-2 (NTSC) EV-1253C12 (PAL) EV-125C-2 (PAL)	EV-122B-4 (EIA) EV-125B-4 (CCIR)
Type	Color camera	B/W camera
Chip	1/3" CCD, Sony	1/3" CCD, A1 PROs
Resolution	420 TV lines	
Pickup elements	512 x 492 pixels (NTSC / EIA) 512 x 582 pixels (PAL / CCIR)	
Scanning system	2:1 interlace	
Sync	Internal	
Video output	1V pp composite output, 75 ohms	
Lens	EV-1223C12 / EV-122B-4 (4.3mm) EV-1253C12 / EV-125B-4 (4.3mm) EV-122C-2 / EV-125C-2 (2.9mm)	
Viewing Angle*	EV-1223C12 / EV-122B-4 (78°) EV-1253C12 / EV-125B-4 (78°) EV-122C-2 / EV-125C-2 (120°)	
Minimum illumination	0.1 lux	
Gamma correction	0.45	
S/N ratio	> 48dB (AGC off)	
Shutter control	Auto Electronic Shutter (AES) 1/60~1/100,000 sec. (NTSC / EIA), 1/50~1/100,000 sec. (PAL / CCIR)	
Backlight compensation	Auto & Manual	
Gain control	Auto	
White Balance	AWB	N/A
D/A Bits	10	
Power source	12VDC	
Power consumption	110mA	100mA
Operating temperature	14°~140° F (-10°~60° C)	
Dimensions	3 1/2" x 2 1/4" (88 x 57 mm)	

* All viewing angles are approximate

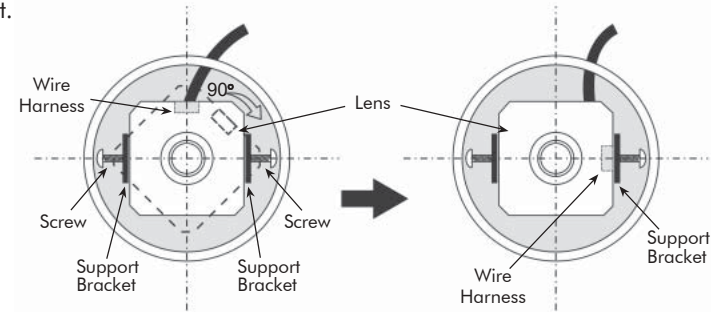
Dimensions:



- Parts List:**
- 1 x Dome camera
 - 4 x Mounting screws
 - 4 x Drywall anchors
 - 1 x Manual

Important:
Do not cut DC jack. Use SECO-LARM's optional EVA-F5521-3 Pigtail Connector for easy installation and serviceability.

Fig. 1 — For wall mounting. Remove the 2 screws and turn the lens 90° clockwise until the wire harness is adjacent to the support bracket, then replace the 2 screws to secure it.



BEFORE STARTING

1. This product was designed for indoor use only. Do not mount the CCTV camera where it is exposed to rain or other moisture, or in humid or dusty places.
 2. Do not point the CCTV camera at the sun. Heat could damage the camera, even when not in use.
 3. Do not mount the CCTV camera in areas exposed to radiation, strong magnetic fields, or strong electrical signals. *
 4. Do not disassemble the lens or circuit board. There are no user-serviceable parts inside.
 5. Do not drop the camera or subject it to strong vibrations.
- * Note: Many video monitors produce strong electromagnetic fields close to the display CRT, especially when the monitor is turned on or during de-Gaussing, which occurs automatically with many monitors when the monitor is turned on.

INSTALLATION

1. Remove the dome. Be careful not to scratch the dome. DO NOT TOUCH ANY OF THE COMPONENTS INSIDE THE DOME.
2. Connect the camera to a video monitor via the video cable.
3. Temporarily connect the camera to a 12VDC power source. **Do not cut the power jack or video jack, as warranty will be voided.**
4. Hold the base of the dome camera with your hand against the ceiling, and try various locations and angles while watching the video monitor to find the location which offers the best protection. Mark that location with a pencil.
5. For wall-mounting applications — Take out the 2 screws and turn the lens 90° clockwise until the wire harness is adjacent to the mounting bracket. Replace the 2 screws to secure it. See Fig. 1.
6. Run a hidden, permanent video cable from the monitor to the mounting location.
7. Run a hidden cable from a 12VDC power supply to the mounting location.
8. Connect the two cables to the dome camera.
9. Mount the base to the ceiling at the selected location with the four mounting screws.
10. Make any necessary adjustments to the horizontal and vertical angles of the camera itself while checking the image in the video monitor.
11. Replace the dome, taking care not to touch the camera or scratch the dome.
12. Test the camera again under the exact lighting conditions under which it is expected to be used.

Note: The ENFORCER dome camera is equipped with multi-axis Gimbal bracket which will make it applicable for both wall and ceiling.