

ENFORCER[®]

MVD-1501-1Q

VGA Distributor Over Cat5e/6 with Audio
1-in / 5-out

Manual



Includes
one transmitter and
one receiver

Up to
1920x1200
Resolution
Up to 459' (140m)

- Distributes a video signal to both a primary display and up to 4 secondary displays
- Extends VGA cable range up to 459' (140m) using Cat5e/6 at 1920x1200 resolution
- Allows for Gain and Peak adjustment
- Additional receivers available: MVD-V1101-1RQ

Additional Receiver
MVD-V1101-1RQ

Introduction:

The MVD-1501-1Q is the perfect device for playing video and audio in both local and remote locations. The MVD-1501-1Q not only extends the range of traditional VGA cabling methods up to 984' (300m), but it also transmits to one local and up to 4 remote secondary displays. The ability to transmit to remote secondary displays makes the MVD-1501-1Q ideal for video playback in security, business, digital signage, and classroom settings.

Features:

- Dual outputs allow for playback on both a local display and up to 4 remote secondary display.
- Extends VGA and stereo audio signals up to 459' (140m) over one UTP Cat5e/6 at 1920x1200 resolution. Extends up to 984' (300m) with 640x480 resolution.
- Allows for Gain and Peak adjustment to adapt to different UTP cable lengths. Use Gain for brightness adjustment and Peak for skew adjustment.
- The MVD-V1501-1Q comes as a set consisting of a transmitter and receiver. The unit is built to support up to 3 additional receivers. (Additional receivers sold separately, order part # MVD-V1101-1RQ)
- Works with computer monitors and other VGA display units.

Parts List:

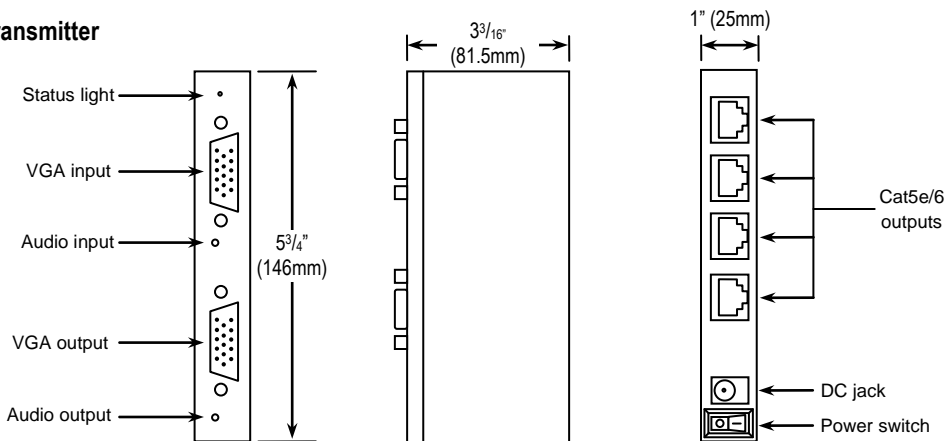
1 x Transmitter
1 x Receiver

2 x 5VDC power adapters
4 x Mounting brackets

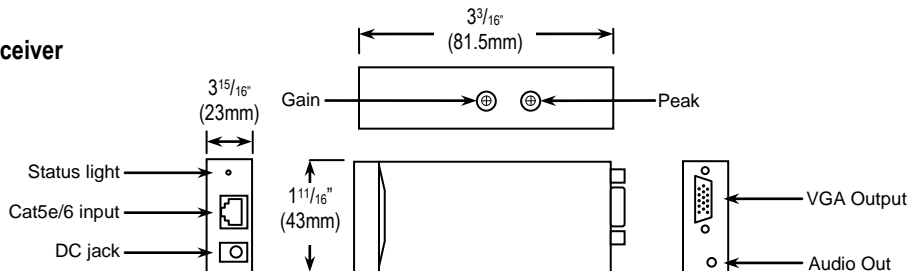
8 x Mounting screws
1 x Manual

Overview:

Transmitter



Receiver



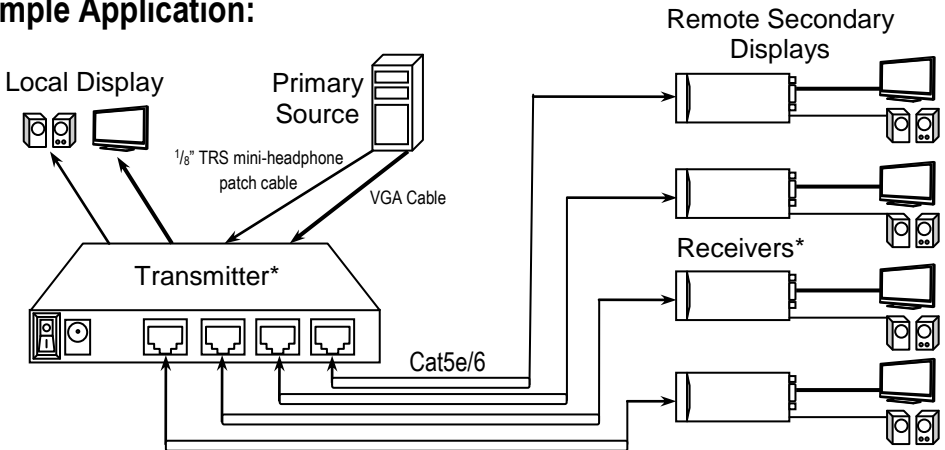
Specifications:

VGA connectors	Female 15 pin	
Number of inputs	1	
Number of remote outputs	4	
Number of local outputs	1	
Vertical frequency range	60/75/85Hz	
Range	640x480; 800x600	984' (300m)
	1024x768	820' (250m)
	1280x720; 1280x1024; 1280x768; 1280x960	656' (200m)
	1600x900; 1600x1200	492' (150m)
	1920x1080; 1920x1200	459' (140m)
Size	Transmitter	5 ³ / ₄ "x2 ³ / ₄ "x1" (146x70x25 mm)
	Receiver	3 ³ / ₁₆ "x1 ¹ / ₁₆ "x1" (81.5x43x23 mm)
Weight	Transmitter	11-oz (312g)
	Receiver	3.8-oz (108g)
Power consumption	400mA@5VDC	
Operating temperature	32 ~158 F (0 ~70 C)	
Operating humidity	10%-85% RH	
Storage temperature	14 ~176 F (-10 ~80 C)	
External power supply	2A@5VDC (2 adapters included) (2.1mm plug)	

Installation:

- Determine the location where the MVD-V1501-1Q will be wired as well as how much Cat5e/6 cable will be necessary.
- Connect the VGA source to the transmitter's VGA Input using a VGA cable.
- Connect the audio source to the transmitter's Audio In using a 1/8" TRS mini-headphone patch cable.
- Connect a local display to the transmitter's VGA Output using a VGA cable.
- Connect a local audio output device to the transmitter's Audio Out using a 1/8" TRS mini-headphone patch cable.
- Connect up to 4 receiver units using Cat5e/6 cable. Additional receivers are available: MVD-V1101-1RQ.
- Connect a secondary display to each receiver's VGA output using a VGA cable.
- Connect a secondary audio source to each of the receiver's audio output using a 1/8" TRS mini-headphone patch cable.
- Connect 5VDC adapters to each of the transmitters and each receiver.
- If necessary, use a screwdriver to adjust the Peak and Gain on the side of each receiver.
- If necessary, mount the transmitter to a wall or other surface using the included mounting bracket and mounting screws.

Sample Application:



* Additional receivers are available for order: MVD-V1101-1RQ. Transmitter may not be purchased separately.

Troubleshooting

Image is weak, faded, or blank

- Reduce cable length.
- Replace with a higher-grade cable. MVD-V1201-1Q works with Cat5, but Cat5e and Cat6 allow for maximum range.
- Adjust gain and peak.
- Check to make sure one power supply is connected to the transmitter and another is connected to the receiver.
- Check the power supplies of all devices connected to the extender.
- Make sure the extender is powered on both sides.
- Make sure the source and displays are powered.
- Make sure the transmitter and receiver are plugged into the correct units

Products Available from SECO-LARM:



Component Video Baluns
Over Cat5e/6



HDMI over Cat5e/6



VGA to HDMI
Converter



HDMI Cables



Audio Baluns



HDMI Switcher

WARRANTY This SECO-LARM product is warranted against defects in material and workmanship while used in normal service for a period of one (1) year from the date of sale to the original consumer customer. SECO-LARM's obligation is limited to the repair or replacement of any defective part if the unit is returned, transportation prepaid, to SECO-LARM. This Warranty is void if damage is caused by or attributed to acts of God, physical or electrical misuse or abuse, neglect, repair, or alteration, improper or abnormal usage, or faulty installation, or if for any other reason SECO-LARM determines that such equipment is not operating properly as a result of causes other than defects in material and workmanship. The sole obligation of SECO-LARM, and the purchaser's exclusive remedy, shall be limited to replacement or repair only, at SECO-LARM's option. In no event shall SECO-LARM be liable for any special, collateral, incidental, or consequential personal or property damages of any kind to the purchaser or anyone else.

NOTICE: The information and specifications printed in this manual are current at the time of publication. However, the SECO-LARM policy is one of continual development and improvement. For this reason, SECO-LARM reserves the right to change specifications without notice. SECO-LARM is also not responsible for misprints or typographical errors.

Copyright © 2010 SECO-LARM U.S.A., Inc. All rights reserved. This material may not be reproduced or copied, in whole or in part, without the written permission of SECO-LARM.

SECO-LARM® U.S.A., Inc.

16842 Millikan Avenue, Irvine, CA 92606

Tel: 800-662-0800 / 949-261-2999 Fax: 949-261-7326

Website: www.seco-larm.com

E-mail: sales@seco-larm.com

 PICCN3

mi-MVD-V1501-1Q_1005.docx