

**Troubleshooting:**

- Composite video balun does not function correctly
  - Make sure all input and output connections are connected firmly to the balun
  - Make sure the video input device is turned on
  - Make sure the video output device is turned on
  - Test the Cat5e/6 cable between the baluns
  - Make sure the RJ-45 connector is wired according to T568B wiring standards

**Specifications:**

		MVE-PB010Q	MVE-PB020Q	
Video	Max. range	2,230' (680m)		
	Video format	YPbPr or RGB (1080p/1080i/720p/720i/480p/480i)		
	Maximum input	1Vpp		
	Insertion loss	Max. 2dB per pair over the freq. range from DC to 8MHz		
	Return loss	Max. 2dB per pair over the freq. range from DC to 15MHz		
	Common mode rejection	Greater than 40dB at 8MHz		
	Bandwidth	DC to 8MHz		
	Power	No power required		
Connections	Wire type	UTP (unshielded twisted pair)		
	Wire category	20 - 24 AWG @ screwless terminal blocks CAT5e or CAT6 for improved range		
	Connectors	Input	RCA male	RCA female
		Output	Terminal block	RJ-45
Attenuation	DC ~ 5 Mhz, 1.5 dB max			
Other	Dimensions	2 1/4" x 5/8" x 9/16" (57 x 16 x 14 mm)	2" x 7/8" x 3/4" (51 x 22 x 19 mm)	
	Humidity range	0 ~ 95%		
	Temperature Range	14°-165°F (-10°-74°C)		
	Case	PC plastic		

Also Available from **SECO-LARM:**

HDMI over Cat5e/6 • Component Video over Cat5e/6 • Digital and Analog audio over Cat5e/6

**WARRANTY** This SECO-LARM product is warranted against defects in material and workmanship while used in normal service for a period of one (1) year from the date of sale to the original consumer customer. SECO-LARM's obligation is limited to the repair or replacement of any defective part if the unit is returned, transportation prepaid, to SECO-LARM. This Warranty is void if damage is caused by or attributed to acts of God, physical or electrical misuse or abuse, neglect, repair, or alteration, improper or abnormal usage, or faulty installation, or if for any other reason SECO-LARM determines that such equipment is not operating properly as a result of causes other than defects in material and workmanship. The sole obligation of SECO-LARM, and the purchaser's exclusive remedy, shall be limited to replacement or repair only, at SECO-LARM's option. In no event shall SECO-LARM be liable for any special, collateral, incidental, or consequential personal or property damages of any kind to the purchaser or anyone else.

**NOTICE:** The information and specifications printed in this manual are current at the time of publication. However, the SECO-LARM policy is one of continual development and improvement. For this reason, SECO-LARM reserves the right to change specifications without notice. SECO-LARM is also not responsible for misprints or typographical errors. Copyright © 2009 SECO-LARM U.S.A., Inc. All rights reserved. This material may not be reproduced or copied, in whole or in part, without the written permission of SECO-LARM.

**SECO-LARM® U.S.A., Inc.**  
 16842 Millikan Avenue, Irvine, CA 92606  
 Tel: 800-662-0800 / 949-261-2999 Fax: 949-261-7326

Website: [www.seco-larm.com](http://www.seco-larm.com)  
 E-mail: [sales@seco-larm.com](mailto:sales@seco-larm.com)

 PITLW2  
 PITSW4  
MH-MVE-PB0x0Q.docx

**SECO-LARM U.S.A., Inc.**

# ENFORCER® Audio/Video

## MANUAL

### Passive Composite Video Baluns



MVE-PB010Q  
(standard)



MVE-PB020Q  
(snap-in)

The ENFORCER Composite Video Baluns are the quick, low-cost way to connect composite or component (YPbPr) video devices at greater distances than traditional video cabling methods. The video baluns work in pairs to allow video signals to be transmitted up to 2,230' (680m) over low-cost Cat5e/6 unshielded twisted pair (UTP) cable instead of costly composite video cable.

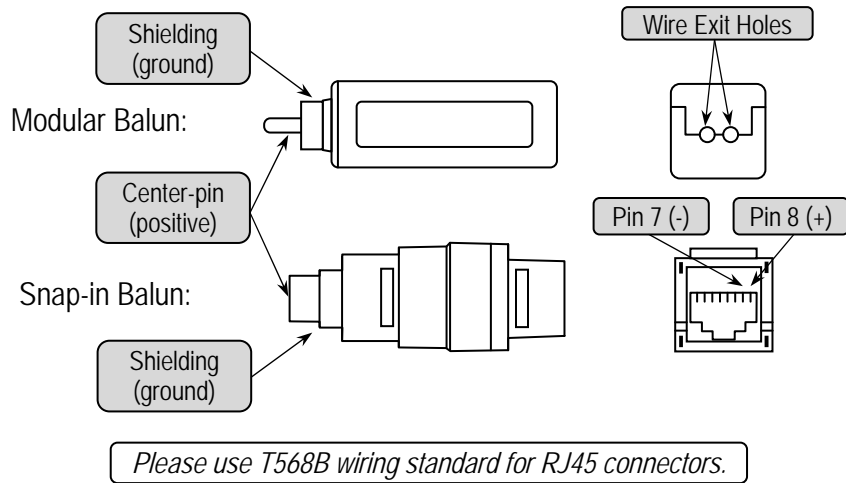
- Passive operation – No external power required
- Uses low-cost Cat5e/6 cable instead of costly composite video cables
- Small size for easy installation behind most video devices
- High immunity from interference – Built-in impedance coupled device and noise filter
- Gold-plated connector for longer life and better reliability
- Limited lifetime warranty

**SLI® SECO-LARM®**



NOTE: Products with a model number that ends with "Q" or have a round green "Q" sticker represent RoHs compliant products.

Overview:



Installation:

**NOTE:** Composite baluns are connected in pairs. One connects to the video source RCA output connector, and the other connects to the video destination RCA input connector.

1. Make sure the maximum distance between the video source and display does not exceed the maximum range of the video baluns.
2. Run the UTP cable from the video source to where it will be connected to the display destination.
3. Connect UTP cable to the two video baluns. For standard baluns slide the cover off of the video balun and connect two wires to the terminal block located inside the balun. See figure 1.
4. For the correct length of bare wire, see figure 3 on page 3. For snap-in baluns connect the RJ 45 plug according to T568B wiring standards. Plug the video baluns into the RCA connectors on the source and destination.

Figure 1 – Video balun with cover removed



Figure 2 – Connecting Cat5e/6 Cable



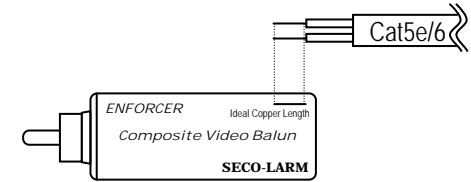
**NOTE:** The baluns are polarity-sensitive. Observe correct polarity.

5. Test the connection by powering up the video source and destination.
6. If using standard baluns, replace the covers on the video baluns and make sure the wires exit through the two small holes on the back of the units.

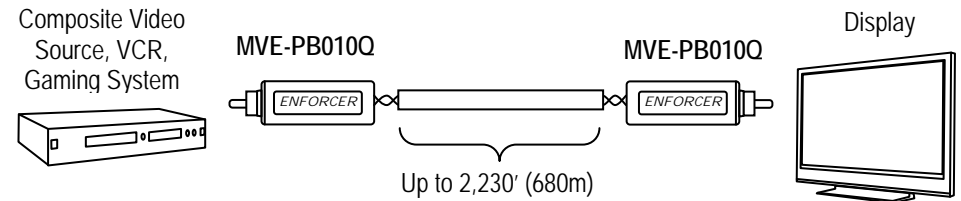
Figure 3 – Video balun with cover removed

Expose 1/4" copper wire of the UTP for connection to the balun. Use the "ideal copper length" guide on the balun.

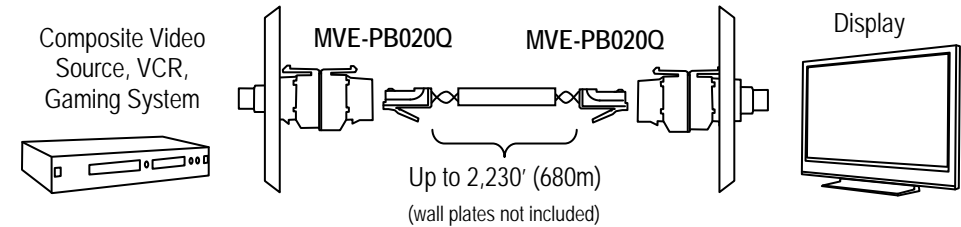
**NOTE:** Bare wires must not be exposed outside the video baluns.



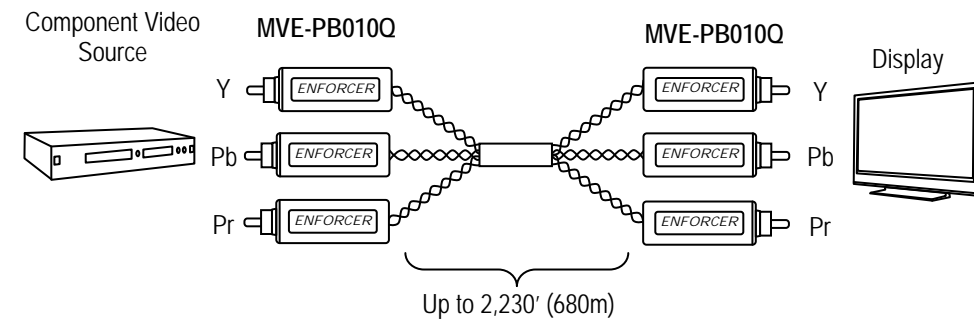
Sample Application #1: Standard Composite Video Baluns



Sample Application #2: Modular Snap-in Composite Video Baluns



Sample Application #3: Component Video



SECO-LARM has a complete line of audio/video products. Please visit [www.seco-larm.com](http://www.seco-larm.com) for more information.