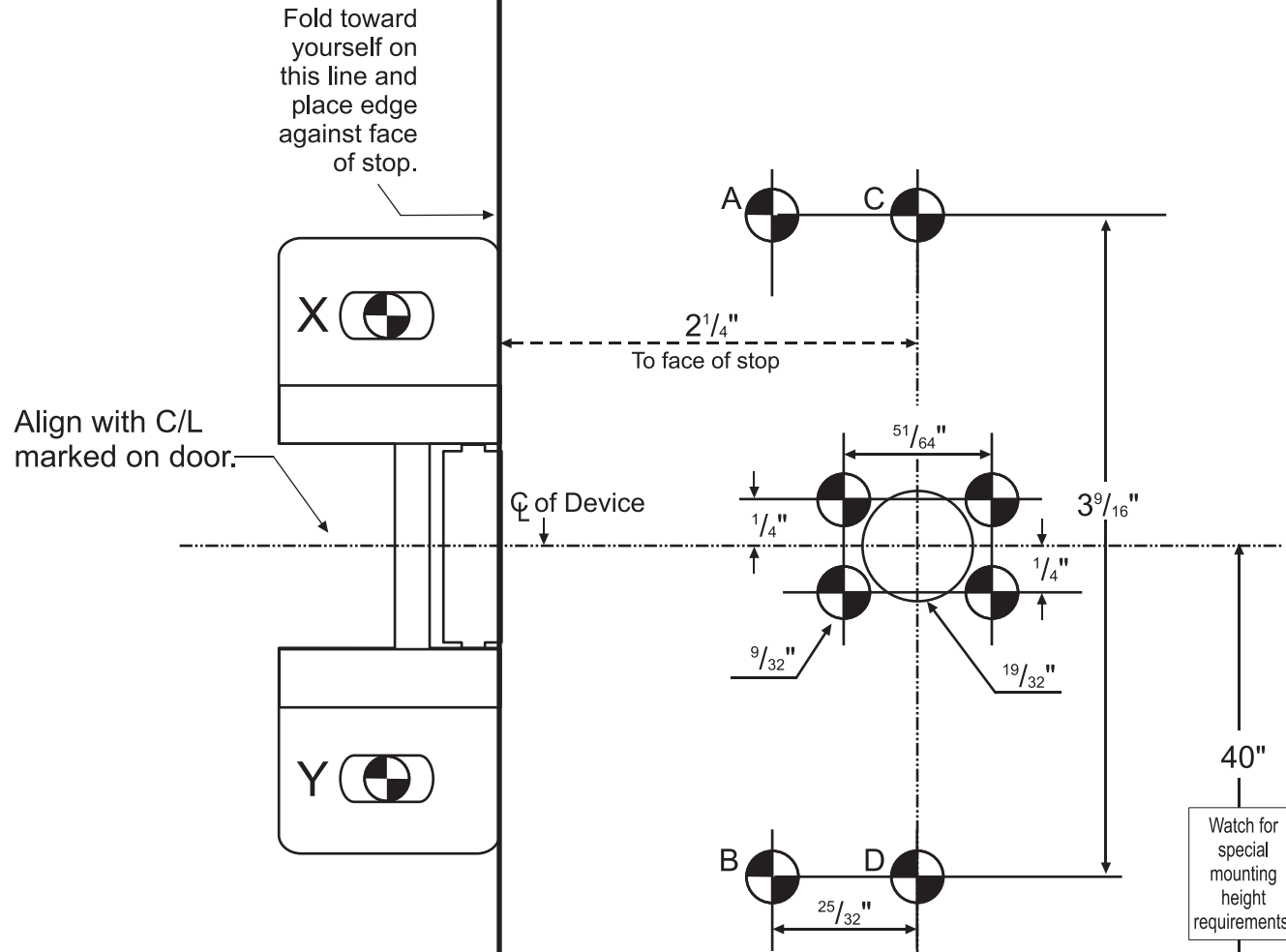


# TEMPLATE

## Rim Exit Device SD-962AR-36A

MT\_SD-962AR-36A\_161104.ai

For Left-Hand Door  
(For right-hand door, turn  
this page upside down.)



Mounting holes for strike (X,Y)  
#1/4" - 20 Tap.

### Door - Inside Face

#### Mounting holes for device chassis (A,B,C,D)

For metal door application:

Use #1/4" - 20 Tap.

For sex bolt application:

5/16" Inside hole - 3/8" outside hole.

For Right-Hand Door  
(For left-hand door, turn  
this page upside down.)