

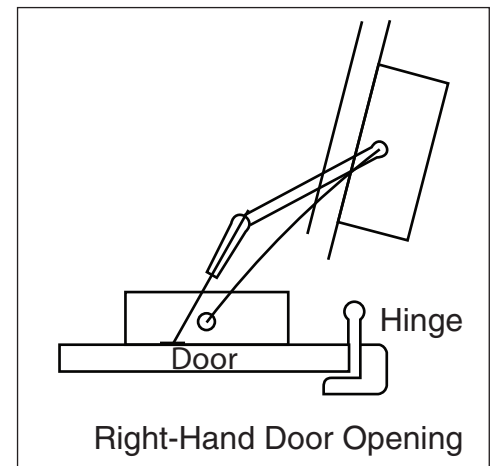
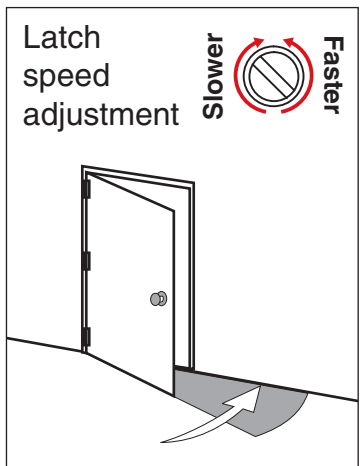
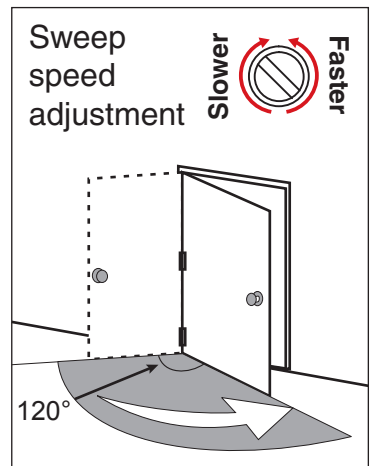
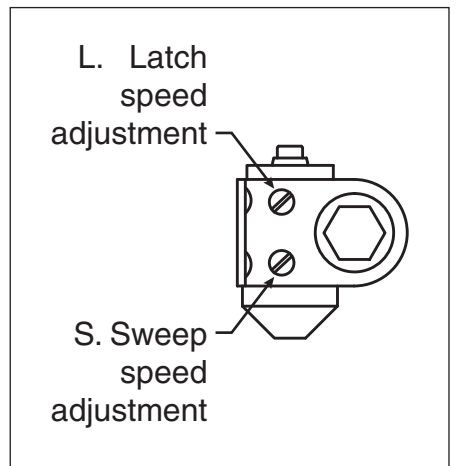
**INSTALLATION TEMPLATE
FOR ENFORCER DOOR CLOSER**

Door Closer Standard Installation for Right-Hand Door

- Parts List:
- 1x Arm axle screw (M6*10)
 - 4x Philips head wood screw (ST5.5*30)
 - 2x Philips head wood screw (ST5.5*20)
 - 4x Philips head machine screw (M5*25)
 - 2x Philips head machine screw (M5*15)
 - 1x Axle cover cap
 - 1x Closer body
 - 1x Closer arm

Note: Choose a mounting location ("A", "B", or "C") based on the width and weight of the door. Generally, smaller/lighter doors are mounted using "A" or "B", while larger/heavier doors are mounted using "B" or "C".

Location	Door Weight
A	Light Door
B	Medium Door
C	Heavy Door



SECO-LARM
www.seco-larm.com

**Model: SD-C131-SQ
For Right-Hand Door**

- Parts List:
- 1x Arm axle screw (M6*10)
 - 4x Philips head wood screw (ST5.5*30)
 - 2x Philips head wood screw (ST5.5*20)
 - 4x Philips head machine screw (M5*25)
 - 2x Philips head machine screw (M5*15)
 - 1x Axle cover cap
 - 1x Closer body
 - 1x Closer arm

Note: Choose a mounting location ("A", "B", or "C") based on the width and weight of the door. Generally, smaller/lighter doors are mounted using "A" or "B", while larger/heavier doors are mounted using "B" or "C".

Location	Door Weight
A	Light Door
B	Medium Door
C	Heavy Door

Model: SD-C131-SQ
For Left-Hand Door

SECO-LARM
www.seco-larm.com

