

# CBA<sup>®</sup>

## RA-4961-VPQ

### Wireless Vibrating Receiver

### Manual



- For use with RA-4961 series receivers
- Connect up to 4 wireless transmitter accessories
- Audible, visual, and physical alert via built-in speaker and vibration
- Belt clip and small size for easy portability
- Each channel independently programmable

# CBA Wireless Vibrating Receiver

## Specifications:

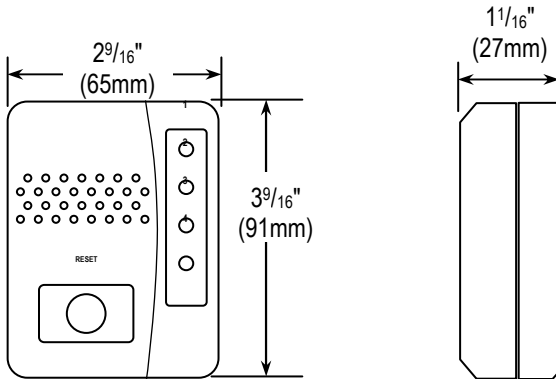
<b>Model number</b>		<b>RA-4961-VPQ</b>
<b>Frequency</b>		914.8MHz
<b>Channels</b>		4
<b>Power supply</b>		2x AA Batteries (Not included)
<b>Current draw</b>	<b>Standby</b>	1mA
	<b>Max</b>	80mA
<b>Estimated battery life</b>		60 days (3 triggers/day)
<b>Receiver low battery indicator</b>		Receiver beeps every 5 seconds
<b>Accessory low battery indicator</b>		Zone LED for accessory blinks
<b>Sound level (dB)</b>		76dB@1ft(30cm)
<b>IP rating</b>		IP 30
<b>Operating temperature</b>		32°~140° F (0°~60° C)
<b>Dimensions</b>		2 <sup>9</sup> / <sub>16</sub> "x1 <sup>1</sup> / <sub>16</sub> "x3 <sup>9</sup> / <sub>16</sub> " (65x27x91 mm)
<b>Weight (without batteries)</b>		2.7-oz (78g)

## Parts List:

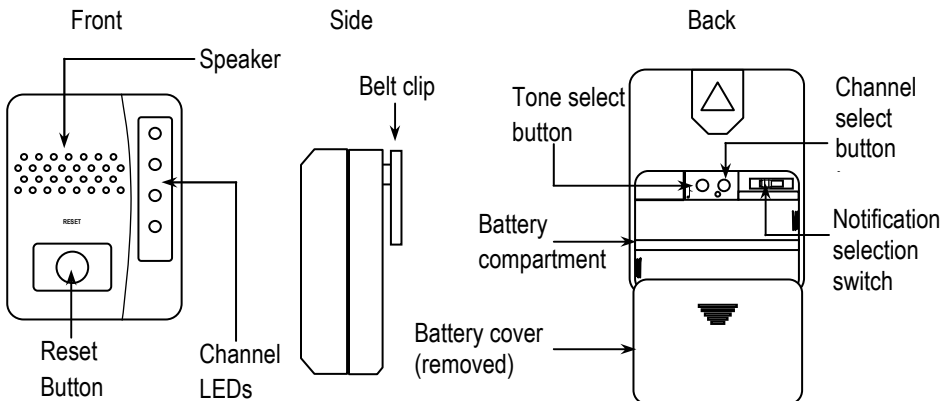
1x Wireless vibrating receiver

1x Manual

## Dimensions:



## Overview:



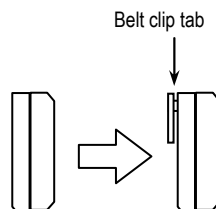
## Installation:

### For Wall Mounting

1. Hold the receiver unit against the wall to get an idea of where the receiver should be installed.
2. Install 1 nail (not included) on the wall.
3. Hang the receiver on the nail.

### For Belt Clip

1. Using your finger, pull the tab on the top of the receiver to reveal the belt clip.
2. Clip the receiver to a belt.



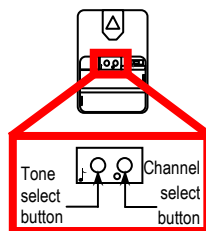
## Pairing Accessories:

1. Enter programming mode by holding down the channel select button until the Channel 1 LED flashes.
2. Press the channel select button to cycle through channels until the desired channel is selected.
3. Press the tone select button to cycle through ringtones until the desired ringtone is selected.
4. Trigger the accessory. Once the accessory is triggered, the receiver will beep indicating the units have been paired. If another channel lights up, this accessory is already programmed on the indicated channel.

**Note:** If pairing an accessory to a channel that is already paired with another accessory, the original accessory will be deleted.

5. Press the channel select button to move to the next channel or exit pairing mode.

**Note:** If no activity for 30 seconds the receiver will automatically exit pairing mode.



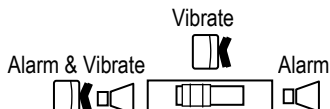
## Deleting Paired Accessories:

1. Enter programming mode by holding down the channel select button until the Channel 1 LED flashes.
2. Press the channel select button to cycle through channels until the desired channel is selected.
3. Press and hold the channel select button and tone select button simultaneously until a beep is heard. Press the channel select button to move to the next channel or exit pairing mode.

**Note:** The reset button is used to reset a channel after it has been triggered. It is not used to clear any programming.

## Setting the Notification Mode:

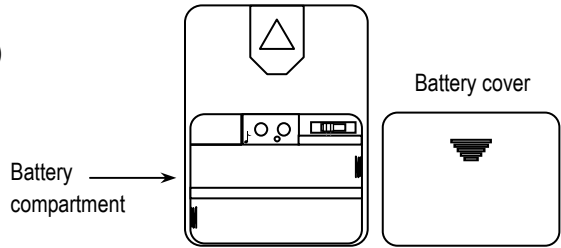
1. The Wireless Receiver has three modes—Alarm & Vibrate, Vibrate, and Alarm.
2. When the switch is flipped to Alarm, the receiver's built-in speaker will sound.
3. When the switch is flipped to Vibrate, the receiver will vibrate only and there will be no sound.
4. When the switch is flipped to Alarm & Vibrate, the receiver's built-in speaker will sound and vibrate.



# CBA Wireless Vibrating Receiver

## Replacing the Batteries:

1. Remove the battery cover.
2. Place 2x AA batteries (not included) in the battery compartment, making sure to observe correct polarity.
3. Replace the cover.



## Also Available from SECO-LARM:



**Wireless  
Alert System**  
RA-4961-K1Q



**Wireless  
Outdoor PIR Sensor**  
RA-4961-DSQ



**Wireless  
Magnetic Contact**  
RA-4961-MCQ



**Wireless  
Pushbutton**  
RA-4961-PBQ



**Wireless  
Indoor PIR Sensor**  
RA-4961-PRQ



**Wireless  
Mailbox/Tilt Sensor**  
RA-4961-MBQ

## FCC COMPLIANCE STATEMENT:

THIS DEVICE COMPLIES WITH PART 15 OF THE FCC RULES. OPERATION IS SUBJECT TO THE FOLLOWING TWO CONDITIONS: (1) THIS DEVICE MAY NOT CAUSE HARMFUL INTERFERENCE AND (2) THIS DEVICE MUST ACCEPT ANY INTERFERENCE RECEIVED, INCLUDING INTERFERENCE THAT MAY CAUSE UNDESIRABLE OPERATION. Notice: The changes or modifications not expressly approved by the party responsible for compliance could void the user's authority to operate the equipment. IMPORTANT NOTE: To comply with the FCC RF exposure compliance requirements, no change to the antenna or the device is permitted. Any change to the antenna or the device could result in the device exceeding the RF exposure requirements and void user's authority to operate the device.

**LIMITED WARRANTY:** This SECO-LARM product is warranted against defects in material and workmanship while used in normal service for one (1) year from the date of sale to the original customer. SECO-LARM's obligation is limited to the repair or replacement of any defective part if the unit is returned, transportation prepaid, to SECO-LARM. This Warranty is void if damage is caused by or attributed to acts of God, physical or electrical misuse or abuse, neglect, repair or alteration, improper or abnormal usage, or faulty installation, or if for any other reason SECO-LARM determines that such equipment is not operating properly as a result of causes other than defects in material and workmanship. The sole obligation of SECO-LARM and the purchaser's exclusive remedy, shall be limited to the replacement or repair only, at SECO-LARM's option. In no event shall SECO-LARM be liable for any special, collateral, incidental, or consequential personal or property damage of any kind to the purchaser or anyone else.

**NOTICE:** The information and specifications printed in this manual are current at the time of publication. However, the SECO-LARM policy is one of continual development and improvement. For this reason, SECO-LARM reserves the right to change specifications without notice. SECO-LARM is also not responsible for misprints or typographical errors. Trademarks are the property of SECO-LARM USA Inc. or their respective owners.

Copyright © 2015 SECO-LARM U.S.A., Inc. All rights reserved. This material may not be reproduced or copied, in whole or in part, without the written permission of SECO-LARM.

## SECO-LARM® U.S.A., Inc.

16842 Millikan Avenue, Irvine, CA 92606

Phone: (949) 261-2999 | (800) 662-0800

Website: [www.seco-larm.com](http://www.seco-larm.com)

Email: [sales@seco-larm.com](mailto:sales@seco-larm.com)

 PIHVK1

MIRA-4961-VPQ\_151001.doc